

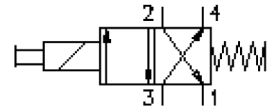
4 way, 2 position solenoid screw-in valve (with manual override, knob type)

SV7-10.-4.-0-.....

MS-660-100-00

(subject to change)

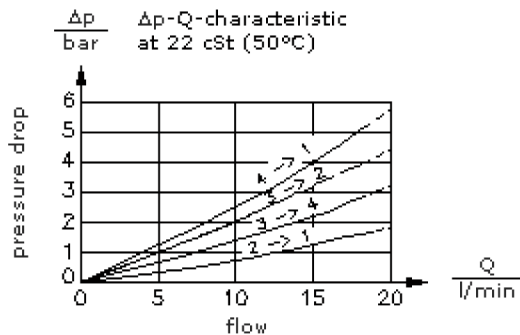
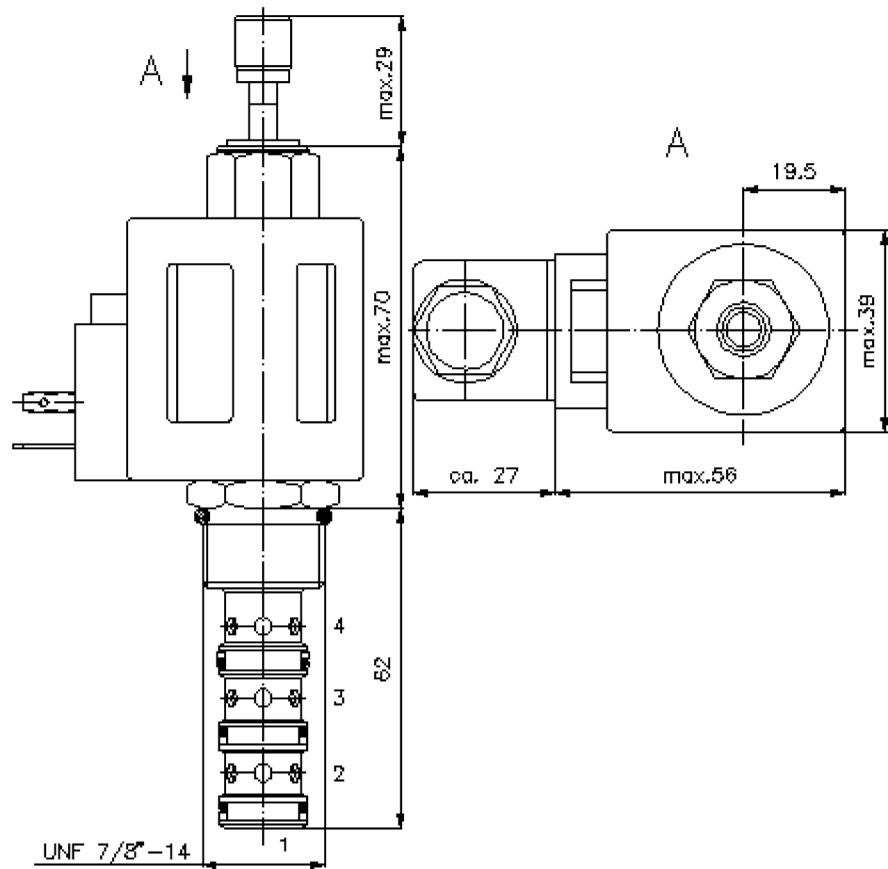
FAT•N



HEX 3/4"
(torque
cartridge:
5 - 8 Nm)

HEX 1"
(torque
cartridge:
48 - 54 Nm)

cavity:
C-10-4
see
data-sheet no.:
IK-400-109-00



4 way, 2 position solenoid screw-in valve (with manual override, knob type)

SV7-10.-4.-0-.....



Motrac Hydraulik GmbH
Siemensring 87 - D-47877 Willich
fon +49-(0)2154-8162.0 - fax +49-(0)2154-8162.499
e-mail info.mhw@motracindustries.com
internet www.motracindustries.com

MS-660-100-00

(subject to change)

FAT•N

Ordering example:

SV7 - 10N - 4P - 0 - 024D - G
| | | | | |
A **B** **C** **D** **E** **F**

Model code:

- A design**
solenoid valve
direct acting
- B size and sealing**
10N = Buna (NBR)
10V = Viton (FPM)
- C symbol function mode**
4P = 4-way 2 position valve with manual
override type "P"
4S = 4-way 2 position valve with manual
override type "S"
- D construction**
0 = screw-in valve
- E voltage**
DC current:
012D = 12V DC
024D = 24V DC
AC current:
120A = 120V AC
240A = 240V AC
other voltage on request
- F power supply**
G = DIN 43650 connector, other
connectors see data sheet no.: MS-010-
000-00

Technical Data:

nominal pressure:	210 bar
nominal flow:	17 l/min
weight:	0.45 kg
temperature range:	-40°C to 120°C
fluids:	hydraulic oil as per DIN 51524 T1 (ISO TC 131)
max. leakage:	165 ccm/min at 22 cSt (50°C) and 210 bar
seals:	optional Buna (NBR) or Viton (FPM), as well as Teflon wascher (PTFE)
power consumption:	20 W
cavity:	C-10-4 see datasheet no. IK-400-109-00 Review note!
housing:	4LH-10.-B.. see datasheet no. IH-400-000-00
seal kit:	SP-MDS-10N-43 (NBR), SP-MDS-10V-43 (FPM)