

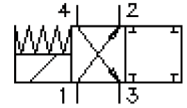
4 way, 2 position solenoid screw-in valve (without manual override)

SV3-10.-4-0-.....

MS-630-099-00

(subject to change)

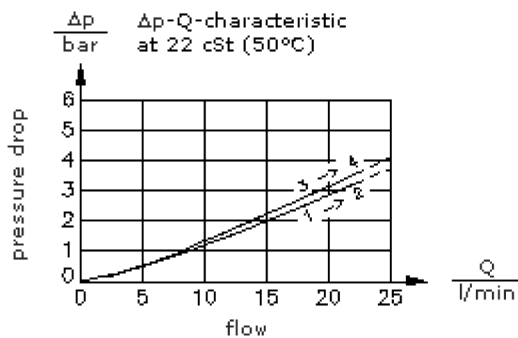
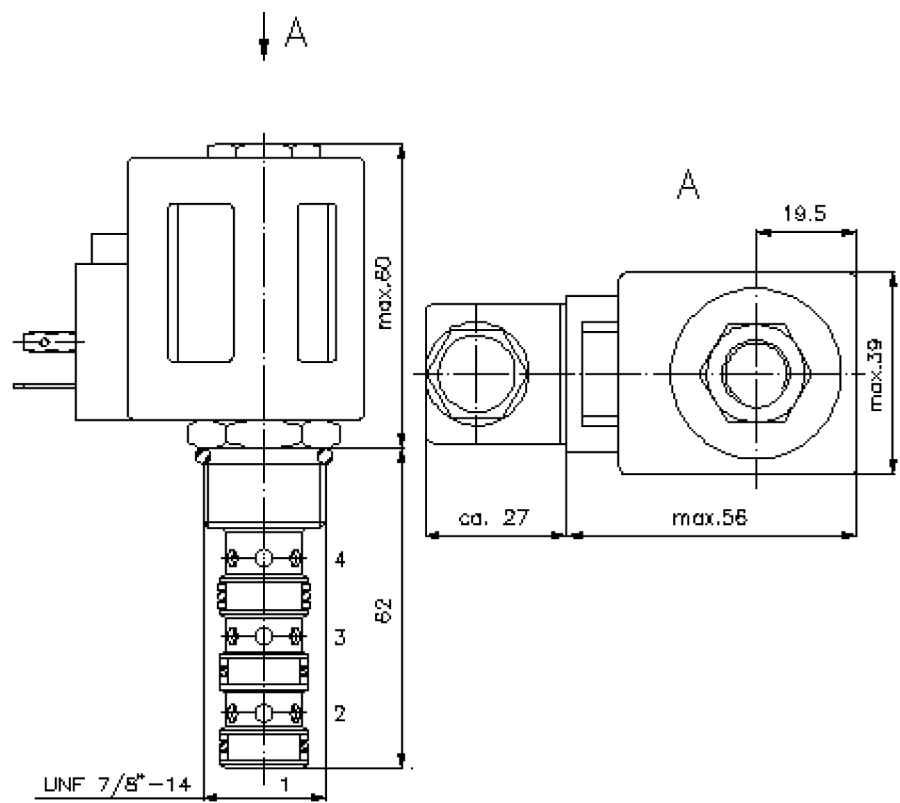
FAT-N



HEX 3/4"
(torque
cartridge:
5 - 8 Nm)

HEX 1"
(torque
cartridge:
48 - 54 Nm)

cavity:
C-10-4
see
data-sheet no.:
IK-400-109-00



4 way, 2 position solenoid screw-in valve (without manual override)

SV3-10.-4-0-.....



Motrac Hydraulik GmbH
Siemensring 87 - D-47877 Willich
fon +49-(0)2154-8162.0 - fax +49-(0)2154-8162.499
e-mail info.mhw@motracindustries.com
internet www.motracindustries.com

MS-630-099-00

(subject to change)

FAT•N

Ordering example:

SV3 - 10N - 4 - 0 - 024D - G
| | | | | |
A **B** **C** **D** **E** **F**

Model code:

- A design**
solenoid valve
direct acting
- B size and sealing**
10N = Buna (NBR)
10V = Viton (FPM)
- C symbol function mode**
4 = 4-way 2 position valve
- D construction**
0 = screw-in valve
- E voltage**
DC current:
012D = 12V DC
024D = 24V DC
AC current:
120A = 120V AC
240A = 240V AC
other voltage on request
- F power supply**
G = DIN 43650 connector, other
connectors see data sheet no.: MS-010-000-00

Technical Data:

| | |
|---------------------------|--|
| nominal pressure: | 210 bar |
| nominal flow: | 23 l/min |
| weight: | 0.45 kg |
| temperature range: | -40°C to 120°C |
| fluids: | hydraulic oil as per DIN 51524 T1 (ISO TC 131) |
| max. leakage: | 165 ccm/min at 22 cSt (50°C) and 210 bar |
| seals: | optional Buna (NBR) or Viton (FPM), as well as Teflon wascher (PTFE) |
| power consumption: | 20 W |
| cavity: | C-10-4 see datasheet no. IK-400-109-00 Review note! |
| housing: | 4LH-10.-B.. see datasheet no. IH-400-000-00 |
| seal kit: | SP-MDS-10N-46 (NBR), SP-MDS-10V-46 (FPM) |