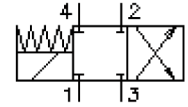


# 4 way, 2 position solenoid screw-in valve (without manual override)

SV12-08.-4-0-.....H

MS-620-081-00

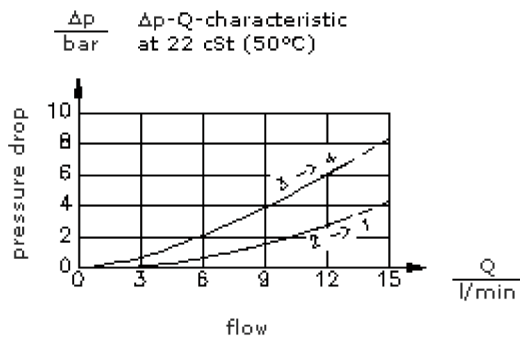
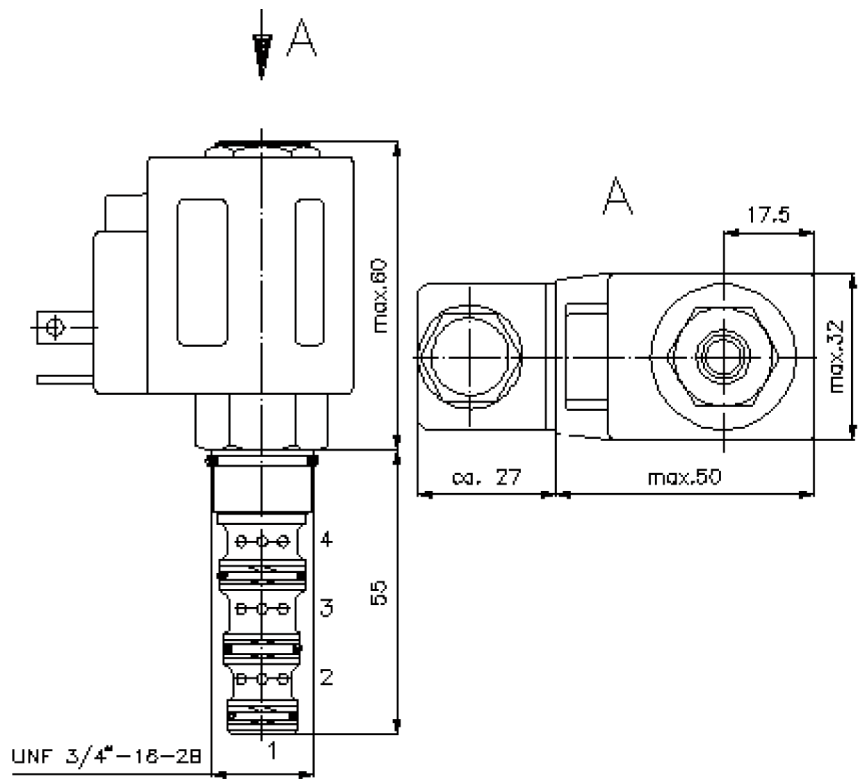
(subject to change)



HEX 5/8"  
(torque  
cartridge:  
5 - 8 Nm)

HEX 7/8"  
(torque  
cartridge:  
34 - 40 Nm)

cavity:  
C-08-4  
see  
data-sheet no.:  
[IK-400-089-00](#)



# 4 way, 2 position solenoid screw-in valve (without manual override)

SV12-08.-4-0-.....H



Motrac Hydraulik GmbH  
Siemensring 87 - D-47877 Willich  
fon +49-(0)2154-8162.0 - fax +49-(0)2154-8162.499  
e-mail info.mhw@motracindustries.com  
internet www.motracindustries.com

FAT•N

MS-620-081-00

(subject to change)

## Ordering example:

SV12 - 08N - 4 - 0 - 024D - G H  
|        |        |        |        |        |        |  
**A**    **B**    **C**    **D**    **E**    **F**    **G**

## Model code:

- A design**  
solenoid valve  
direct acting
- B size and sealing**  
08N = Buna (NBR)  
08V = Viton (FPM)
- C symbol function mode**  
4 = 4-way 2 position valve
- D construction**  
0 = screw-in valve
- E voltage**  
DC current:  
012D = 12V DC  
024D = 24V DC  
AC current:  
120A = 120V AC  
240A = 240V AC  
other voltage on request
- F power supply**  
G = DIN 43650 connector, other  
connectors see data sheet no.: MS-010-  
000-00
- G coil**  
H = high pressure variant

## Technical Data:

|                           |  |
|---------------------------|--|
| <b>nominal pressure:</b>  | 350 bar  |
| <b>nominal flow:</b>      | 13 l/min   |
| <b>weight:</b>            | 0.4 kg   |
| <b>temperature range:</b> | -40°C to 100°C   |
| <b>fluids:</b>            | hydraulic oil as per DIN 51524 T1 (ISO TC 131)                       |
| <b>max. leakage:</b>      | 85 ccm/min at 22 cSt (50°C) and 350 bar                              |
| <b>seals:</b>             | optional Buna (NBR) or Viton (FPM), as well as Teflon wascher (PTFE) |
| <b>power consumption:</b> | 20 W   |
| <b>cavity:</b>            | C-08-4 see datasheet no. <a href="#">IK-400-089-00</a>               |
| <b>housing:</b>           | 4LH-08.-B.. see datasheet no. <a href="#">IH-400-000-00</a>          |
| <b>seal kit:</b>          | SP-MDS-08N-46 (NBR), SP-MDS-08V-46 (FPM)                             |