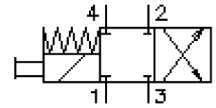


# 4 way, 2 position solenoid screw-in valve (with manual override, knob type)

SV2-08.-4.-0-.....

MS-620-080-00

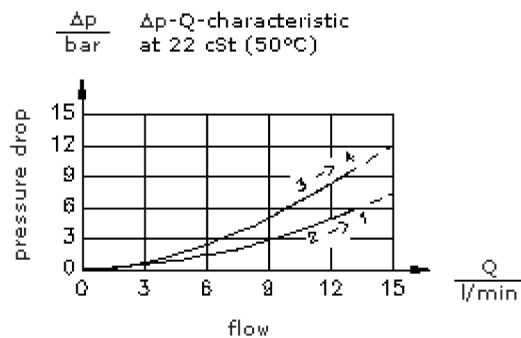
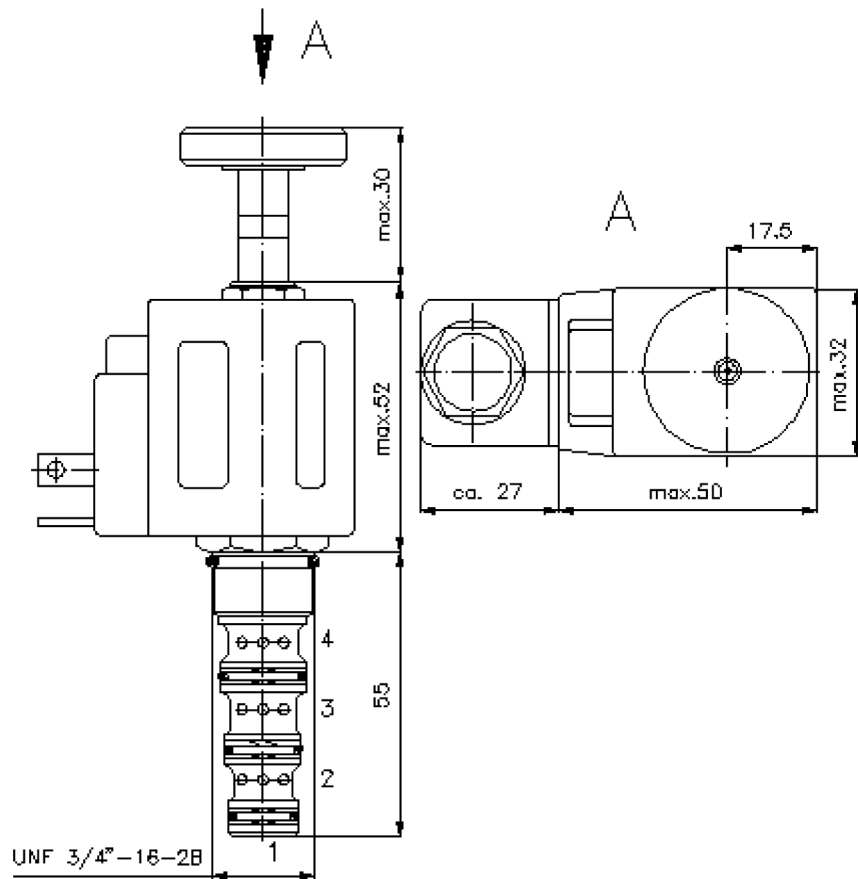
(subject to change)



HEX 5/8"  
(torque  
cartridge:  
5 - 8 Nm)

HEX 7/8"  
(torque  
cartridge:  
34 - 40 Nm)

cavity:  
C-08-4  
see  
data-sheet no.:  
[IK-400-089-00](#)



# 4 way, 2 position solenoid screw-in valve (with manual override, knob type)

SV2-08.-4.-0-.....



Motrac Hydraulik GmbH  
Siemensring 87 - D-47877 Willich  
fon +49-(0)2154-8162.0 - fax +49-(0)2154-8162.499  
e-mail info.mhw@motracindustries.com  
internet www.motracindustries.com

MS-620-080-00

(subject to change)

FAT•N

## Ordering example:

SV2 - 08N - 4M - 0 - 024D - G  
|        |        |        |        |        |  
**A**    **B**    **C**    **D**    **E**    **F**

## Model code:

- A design**  
solenoid valve  
direct acting
- B size and sealing**  
08N = Buna (NBR)  
08V = Viton (FPM)
- C symbol function mode**  
4M = 4-way 2 position valve with manual  
override type "M"
- D construction**  
0 = screw-in valve
- E voltage**  
DC current:  
012D = 12V DC  
024D = 24V DC  
AC current:  
120A = 120V AC  
240A = 240V AC  
other voltage on request
- F power supply**  
G = DIN 43650 connector, other  
connectors see data sheet no.: MS-010-  
000-00

## Technical Data:

<b>nominal pressure:</b>	210 bar
<b>nominal flow:</b>	13 l/min
<b>weight:</b>	0.3 kg
<b>temperature range:</b>	-40°C to 120°C
<b>fluids:</b>	hydraulic oil as per DIN 51524 T1 (ISO TC 131)
<b>max. leakage:</b>	85 ccm/min. at 22 cSt (50°C) and 210 bar
<b>seals:</b>	optional Buna (NBR) or Viton (FPM), as well as Teflon wascher (PTFE)
<b>power consumption:</b>	16 W
<b>response times:</b>	with 100% change of current, nominal pressure and approx. 80% of the flow open: 21 ms close: 42 ms
<b>cavity:</b>	C-08-4 see datasheet no. <a href="#">IK-400-089-00</a>
<b>housing:</b>	4LH-08.-B.. see datasheet no. <a href="#">IH-400-000-00</a>
<b>seal kit:</b>	SP-MDS-08N-46 (NBR), SP-MDS-08V-46 (FPM)