

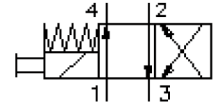
# 4 way, 2 position solenoid screw-in valve (with manual override, knob type)

SV1-08.-4.-0-.....

**MS-610-080-00**

(subject to change)

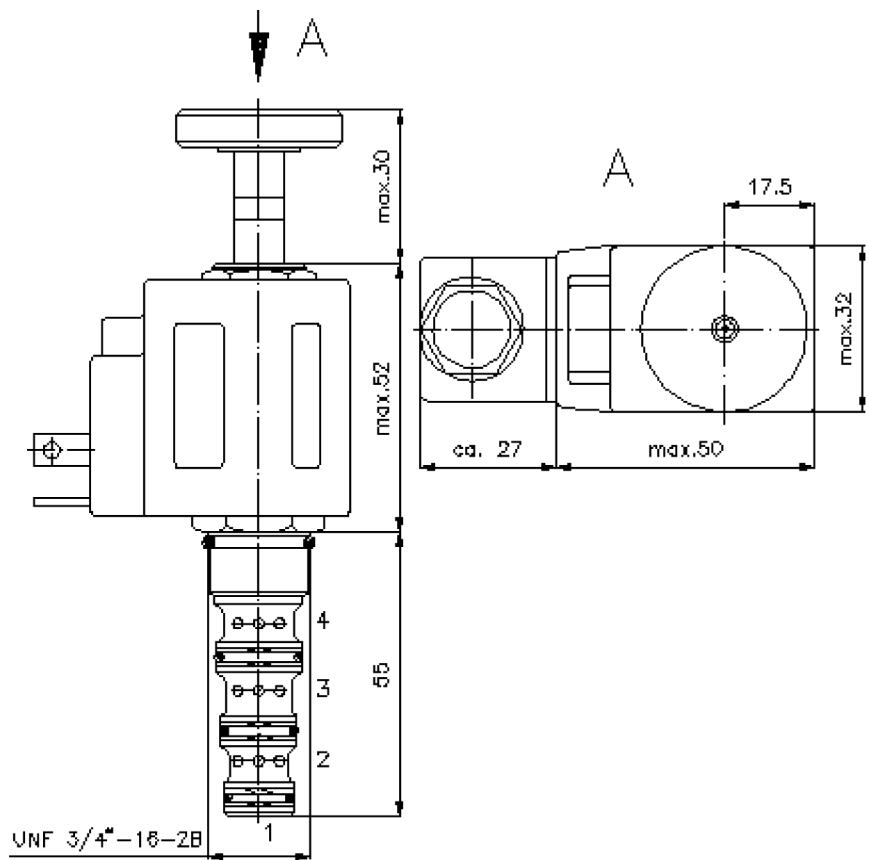
**FAT-N**



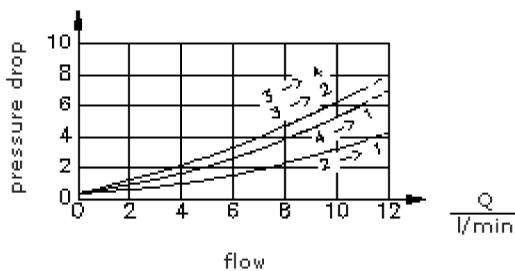
HEX 5/8"  
(torque  
cartridge:  
5 - 8 Nm)

HEX 7/8"  
(torque  
cartridge:  
34 - 40 Nm)

cavity:  
C-08-4  
see  
data-sheet no.:  
IK-400-089-00



$\frac{\Delta p}{\text{bar}}$   $\Delta p$ -Q-characteristic  
at 22 cSt (50°C)



# 4 way, 2 position solenoid screw-in valve (with manual override, knob type)

SV1-08.-4.-0-.....



Motrac Hydraulik GmbH  
Siemensring 87 - D-47877 Willich  
fon +49-(0)2154-8162.0 - fax +49-(0)2154-8162.499  
e-mail info.mhw@motracindustries.com  
internet www.motracindustries.com

FAT•N

MS-610-080-00

(subject to change)

## Ordering example:

SV1 - 08N - 4M - 0 - 024D - G  
|        |        |        |        |        |  
**A**    **B**    **C**    **D**    **E**    **F**

## Model code:

- |   |   |
|---|---|
| <p><b>A design</b><br/>solenoid valve<br/>direct acting</p> <p><b>B size and sealing</b><br/>08N = Buna (NBR)<br/>08V = Viton (FPM)</p> <p><b>C symbol function mode</b><br/>4M = 4-way 2 position valve with manual<br/>override type "M"</p> <p><b>D construction</b><br/>0 = screw-in valve</p> <p><b>E voltage</b><br/>DC current:<br/>012D = 12V DC<br/>024D = 24V DC<br/>AC current:<br/>120A = 120V AC<br/>240A = 240V AC<br/>other voltage on request</p> | <p><b>F power supply</b><br/>G = DIN 43650 connector, other<br/>connectors see data sheet no.: MS-010-<br/>000-00</p> |
|---|---|

## Technical Data:

<b>nominal pressure:</b>	210 bar
<b>nominal flow:</b>	11 l/min
<b>weight:</b>	0.3 kg
<b>temperature range:</b>	-40°C to 120°C
<b>fluids:</b>	hydraulic oil as per DIN 51524 T1 (ISO TC 131)
<b>max. leakage:</b>	85 ccm/min. at 22 cSt (50°C) and 210 bar
<b>seals:</b>	optional Buna (NBR) or Viton (FPM), as well as Teflon wascher (PTFE)
<b>power consumption:</b>	16 W
<b>cavity:</b>	C-08-4 see datasheet no. <a href="#">IK-400-089-00</a>
<b>housing:</b>	4LH-08.-B.. see datasheet no. <a href="#">IH-400-000-00</a>
<b>seal kit:</b>	SP-MDS-08N-46 (NBR), SP-MDS-08V-46 (FPM)