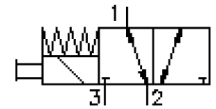


3 way, 2 position solenoid screw-in valve (with manual override, knob type)

SV11-08.-3.-0-.....H

MS-510-082-00

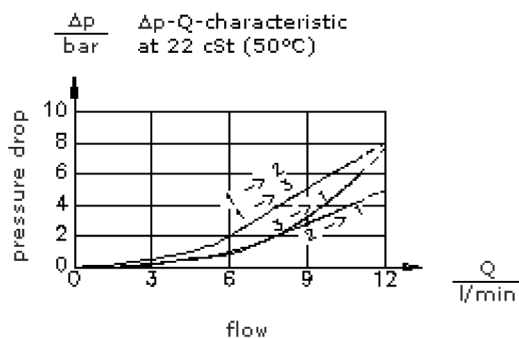
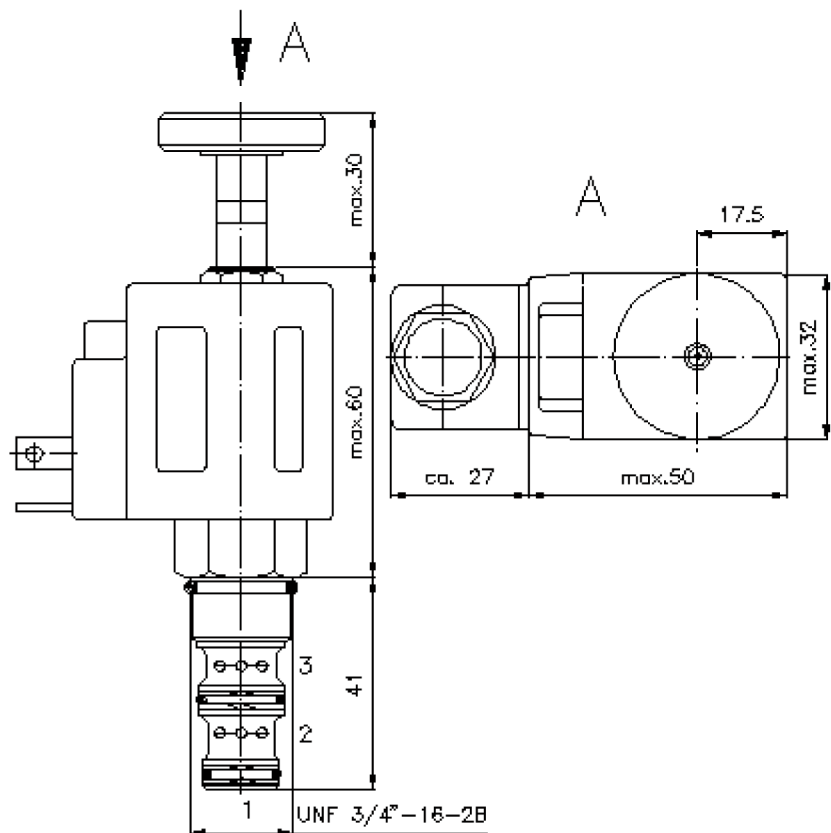
(subject to change)



HEX 5/8"
(torque
cartridge:
5 - 8 Nm)

HEX 7/8"
(torque
cartridge:
34 - 40 Nm)

cavity:
C-08-3
see
data-sheet no.:
[IK-300-089-00](#)



3 way, 2 position solenoid screw-in valve (with manual override, knob type)

SV11-08.-3.-0-.....H



Motrac Hydraulik GmbH
Siemensring 87 - D-47877 Willich
fon +49-(0)2154-8162.0 - fax +49-(0)2154-8162.499
e-mail info.mhw@motracindustries.com
internet www.motracindustries.com

MS-510-082-00

(subject to change)

FAT•N

Ordering example:

SV11 - 08N - 3M - 0 - 024D - G H
| | | | | | |
A **B** **C** **D** **E** **F** **G**

Model code:

- | | |
|--|--|
| <p>A design
solenoid valve
direct acting</p> <p>B size and sealing
08N = Buna (NBR)
08V = Viton (FPM)</p> <p>C symbol function mode
3M = 3-way 2 position valve with manual
override type "M"</p> <p>D construction
0 = screw-in valve</p> <p>E voltage
DC current:
012D = 12V DC
024D = 24V DC
AC current:
120A = 120V AC
240A = 240V AC
other voltage on request</p> | <p>F power supply
G = DIN 43650 connector, other
connectors see data sheet no.: MS-010-
000-00</p> <p>G coil
H = high pressure variant</p> |
|--|--|

Technical Data:

nominal pressure:	350 bar
nominal flow:	11 l/min
weight:	0.4 kg
temperature range:	-40°C to 100°C
fluids:	hydraulic oil as per DIN 51524 T1 (ISO TC 131)
max. leakage:	140 ccm/min at 22 cSt (50°C) and 350 bar
seals:	optional Buna (NBR) or Viton (FPM), as well as Teflon wascher (PTFE)
power consumption:	20 W
cavity:	C-08-3 see datasheet no. IK-300-089-00
housing:	3LH-08.-B.. see datasheet no. IH-300-000-00
seal kit:	SP-MDS-08N-34 (NBR), SP-MDS-08V-34 (FPM)