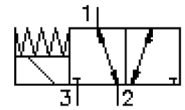


3 way, 2 position solenoid screw-in valve (without manual override)

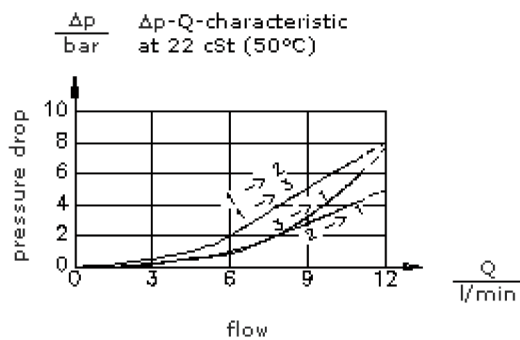
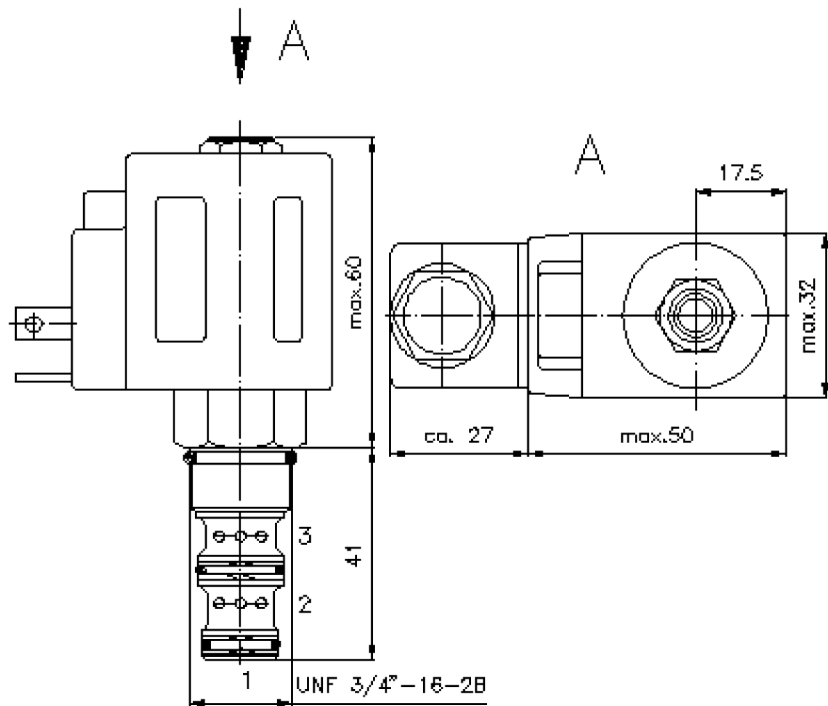
SV11-08.-3-0-.....H



HEX 5/8"
(torque
cartridge:
5 - 8 Nm)

HEX 7/8"
(torque
cartridge:
34 - 40 Nm)

cavity:
C-08-3
see
data-sheet no.:
[IK-300-089-00](#)



3 way, 2 position solenoid screw-in valve (without manual override)

SV11-08.-3-0-.....H



Motrac Hydraulik GmbH
Siemensring 87 - D-47877 Willich
fon +49-(0)2154-8162.0 - fax +49-(0)2154-8162.499
e-mail info.mhw@motracindustries.com
internet www.motracindustries.com

FAT•N

MS-510-081-00

(subject to change)

Ordering example:

SV11 - 08N - 3 - 0 - 024D - G H
| | | | | | |
A **B** **C** **D** **E** **F** **G**

Model code:

- A** **design**
solenoid valve
direct acting
- B** **size and sealing**
08N = Buna (NBR)
08V = Viton (FPM)
- C** **symbol function mode**
3 = 3-way 2 position valve
- D** **construction**
0 = screw-in valve
- E** **voltage**
DC current:
012D = 12V DC
024D = 24V DC
AC current:
120A = 120V AC
240A = 240V AC
other voltage on request
- F** **power supply**
G = DIN 43650 connector, other
connectors see data sheet no.: MS-010-
000-00
- G** **coil**
H = high pressure variant

Technical Data:

nominal pressure:	350 bar
nominal flow:	11 l/min
weight:	0.4 kg
temperature range:	-40°C to 100°C
fluids:	hydraulic oil as per DIN 51524 T1 (ISO TC 131)
max. leakage:	140 ccm/min at 22 cSt (50°C) and 350 bar
seals:	optional Buna (NBR) or Viton (FPM), as well as Teflon wascher (PTFE)
power consumption:	20 W
cavity:	C-08-3 see datasheet no. IK-300-089-00
housing:	3LH-08.-B.. see datasheet no. IH-300-000-00
seal kit:	SP-MDS-08N-34 (NBR), SP-MDS-08V-34 (FPM)