

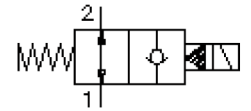
2 way, 2 position solenoid valve, poppet type (normally open)

SV3-20.-0-0-.....

MS-440-199-00

(subject to change)

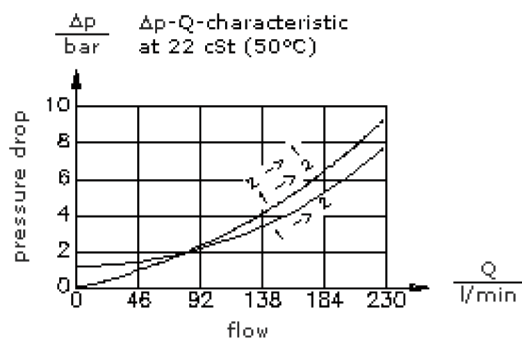
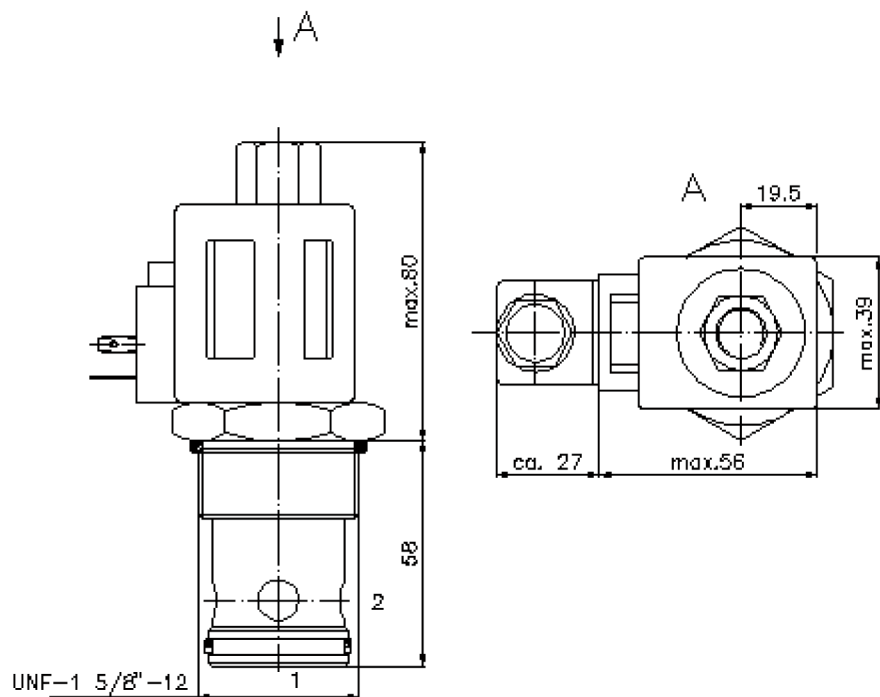
FAT•N



HEX 3/4"
(torque
cartridge:
5 - 8 Nm)

HEX 1 7/8"
(torque
cartridge:
129 - 155 Nm)

cavity:
C-20-2
see
data-sheet no.:
IK-100-209-00



2 way, 2 position solenoid valve, poppet type (normally open)

SV3-20.-0-0-.....

MS-440-199-00

(subject to change)

FAT•N

Ordering example:

SV3 - 20N - 0 - 0 - 024D - G
| | | | | |
A **B** **C** **D** **E** **F**

Model code:

- A design**
solenoid valve
poppet type valve
pilot operated
- B size and sealing**
20N = Buna (NBR)
20V = Viton (FPM)
- C symbol function mode**
0 = normally open
- D construction**
0 = screw-in valve
- E voltage**
DC current:
012D = 12V DC
024D = 24V DC
AC current:
120A = 120V AC
240A = 240V AC
other voltage on request
- F power supply**
G = DIN 43650 connector, other
connectors see data sheet no.: MS-010-000-00

Technical Data:

nominal pressure:	210 bar
nominal flow:	227 l/min
weight:	1.2 kg
temperature range:	-40°C to 120°C
fluids:	hydraulic oil as per DIN 51524 T1 (ISO TC 131)
max. leakage:	5 drops/min at 22 cSt (50°C) and 210 bar
seals:	optional Buna (NBR) or Viton (FPM), as well as Teflon wascher (PTFE)
power consumption:	20 W
response times:	with 100% change of current, nominal pressure and approx. 80% of the flow open: 75 ms close: 150 ms
cavity:	C-20-2 see datasheet no. IK-100-209-00
housing:	2LH-20.-B.. see datasheet no. IH-100-000-00
seal kit:	SP-MDS-20N-21 (NBR), SP-MDS-20V-21 (FPM)