

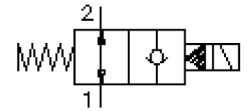
# 2 way, 2 position solenoid valve, poppet type (normally open)

SV13-16.-0-0-.....H

MS-440-161-00

(subject to change)

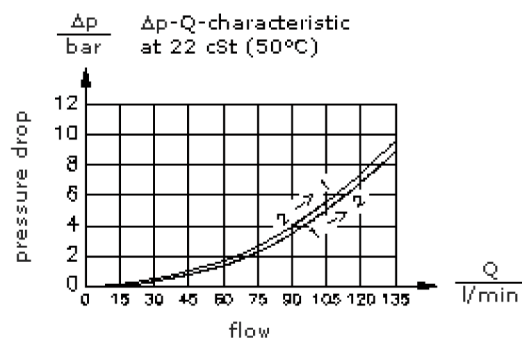
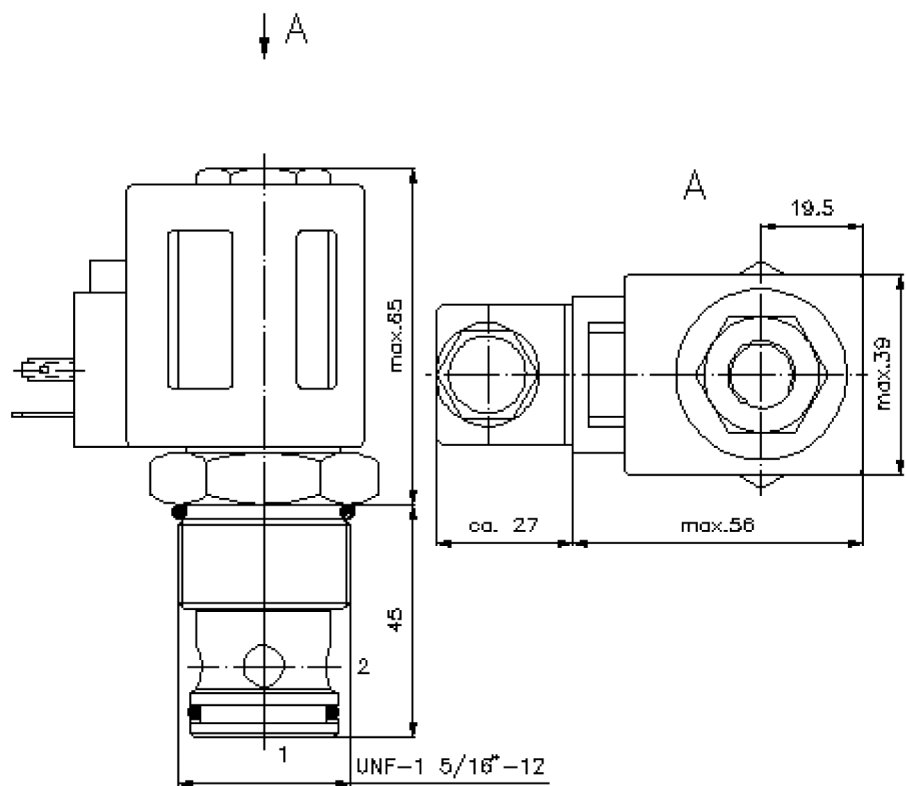
FAT-N



HEX 3/4"  
(torque  
cartridge:  
5 - 8 Nm)

HEX 1 1/2"  
(torque  
cartridge:  
109 - 122 Nm)

cavity:  
C-16-2  
see  
data-sheet no.:  
IK-100-169-00



# 2 way, 2 position solenoid valve, poppet type (normally open)

SV13-16.-0-0-.....H

MS-440-161-00

(subject to change)

FAT•N

## Ordering example:

SV13 - 16N - 0 - 0 - 024D - G H  
| | | | | | |  
**A** **B** **C** **D** **E** **F** **G**

## Model code:

- |   |  |
|---|--|
| <p><b>A</b> <b>design</b><br/>solenoid valve<br/>poppet type valve<br/>pilot operated</p> <p><b>B</b> <b>size and sealing</b><br/>16N = Buna (NBR)<br/>16V = Viton (FPM)</p> <p><b>C</b> <b>symbol function mode</b><br/>0 = normally open</p> <p><b>D</b> <b>construction</b><br/>0 = screw-in valve</p> <p><b>E</b> <b>voltage</b><br/>DC current:<br/>012D = 12V DC<br/>024D = 24V DC<br/>AC current:<br/>120A = 120V AC<br/>240A = 240V AC<br/>other voltage on request</p> | <p><b>F</b> <b>power supply</b><br/>G = DIN 43650 connector, other<br/>connectors see data sheet no.: MS-010-<br/>000-00</p> <p><b>G</b> <b>coil</b><br/>H = high pressure variant</p> |
|---|--|

## Technical Data:

<b>nominal pressure:</b>	350 bar
<b>nominal flow:</b>	132 l/min
<b>weight:</b>	1.1 kg
<b>temperature range:</b>	-40°C to 100°C
<b>fluids:</b>	hydraulic oil as per DIN 51524 T1 (ISO TC 131)
<b>max. leakage:</b>	5 drops/min at 22 cSt (50°C) and 350 bar
<b>seals:</b>	optional Buna (NBR) or Viton (FPM), as well as Teflon wascher (PTFE)
<b>power consumption:</b>	26 W
<b>cavity:</b>	C-16-2 see datasheet no. <a href="#">IK-100-169-00</a>
<b>housing:</b>	2LH-16.-B.. see datasheet no. <a href="#">IH-100-000-00</a>
<b>seal kit:</b>	SP-MDS-16N-21 (NBR), SP-MDS-16V-21 (FPM)