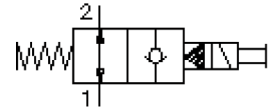


# 2 way, 2 pos. solenoid valve, poppet type (normally closed with manual override)

SV13-12.-0.-0-.....H

MS-440-122-00

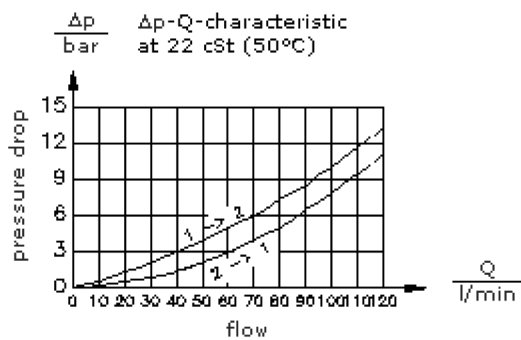
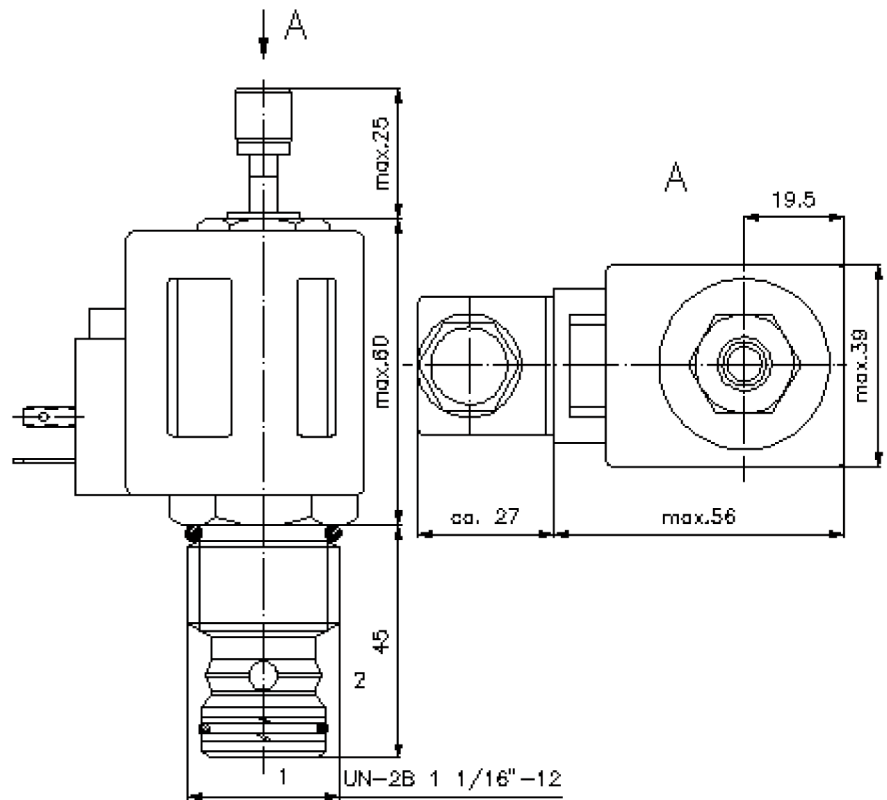
(subject to change)



HEX 3/4"  
(torque  
cartridge:  
5 - 8 Nm)

HEX 1 1/4"  
(torque  
cartridge:  
85 - 94 Nm)

cavity:  
C-12-2  
see  
data-sheet no.:  
[IK-100-129-00](#)



# 2 way, 2 pos. solenoid valve, poppet type (normally closed with manual override)

SV13-12.-0.-0-.....H

MS-440-122-00

(subject to change)

**FAT•N**

## Ordering example:

SV13 - 12N - 0S - 0 - 024D - G H  
| | | | | | |  
**A** **B** **C** **D** **E** **F** **G**

## Model code:

- A design**  
solenoid valve  
poppet type valve  
pilot operated
- B size and sealing**  
12N = Buna (NBR)  
12V = Viton (FPM)
- C symbol function mode**  
0P = normally open with manual override  
type "P"  
0S = normally open with manual override  
type "S"
- D construction**  
0 = screw-in valve
- E voltage**  
DC current:  
012D = 12V DC  
024D = 24V DC  
AC current:  
120A = 120V AC  
240A = 240V AC  
other voltage on request
- F power supply**  
G = DIN 43650 connector, other  
connectors see data sheet no.: MS-010-  
000-00
- G coil**  
H = high pressure variant

## Technical Data:

<b>nominal pressure:</b>	350 bar
<b>nominal flow:</b>	114 l/min
<b>weight:</b>	0.5 kg
<b>temperature range:</b>	-40°C to 100°C
<b>fluids:</b>	hydraulic oil as per DIN 51524 T1 (ISO TC 131)
<b>max. leakage:</b>	5 drops/min at 22 cSt (50°C) and 350 bar
<b>seals:</b>	optional Buna (NBR) or Viton (FPM), as well as Teflon wascher (PTFE)
<b>power consumption:</b>	26 W
<b>cavity:</b>	C-12-2 see datasheet no. <a href="#">IK-100-129-00</a>
<b>housing:</b>	2LH-12.-B.. see datasheet no. <a href="#">IH-100-000-00</a>
<b>seal kit:</b>	SP-MDS-12N-22 (NBR), SP-MDS-12V-22 (FPM)