

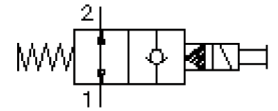
2 way, 2 pos. solenoid valve, poppet type (normally open with manual override)

SV3-10.-0.-0-.....

MS-430-100-00

(subject to change)

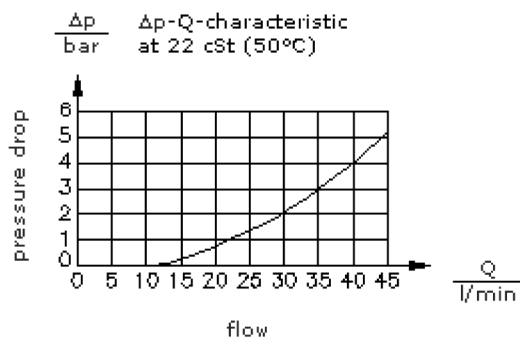
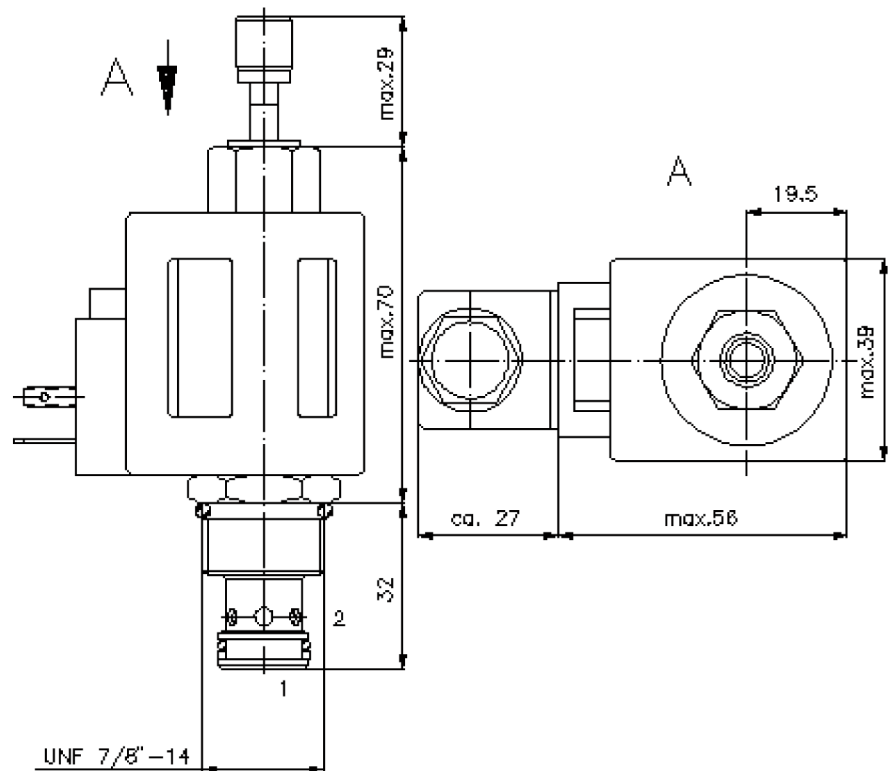
FAT-N



HEX 3/4"
(torque
cartridge:
5 - 8 Nm)

HEX 1"
(torque
cartridge:
48 - 54 Nm)

cavity:
C-10-2
see
data-sheet no.:
[IK-100-109-00](#)



2 way, 2 pos. solenoid valve, poppet type (normally open with manual override)

SV3-10.-0.-0-.....

MS-430-100-00

(subject to change)

FAT•N

Ordering example:

SV3 - 10N - 0S - 0 - 024D - G
| | | | | |
A **B** **C** **D** **E** **F**

Model code:

- | | |
|---|---|
| <p>A design
solenoid valve
poppet type valve
pilot operated</p> <p>B size and sealing
10N = Buna (NBR)
10V = Viton (FPM)</p> <p>C symbol function mode
0P = normally open with manual override type "P"
0S = normally open with manual override type "S"</p> <p>D construction
0 = screw-in valve</p> | <p>E voltage
DC current:
012D = 12V DC
024D = 24V DC
AC current:
120A = 120V AC
240A = 240V AC
other voltage on request</p> <p>F power supply
G = DIN 43650 connector, other connectors see data sheet no.: MS-010-000-00</p> |
|---|---|

Technical Data:

nominal pressure:	210 bar
nominal flow:	45 l/min
weight:	0.4 kg
temperature range:	-40°C to 120°C
fluids:	hydraulic oil as per DIN 51524 T1 (ISO TC 131)
max. leakage:	5 drops/min at 22 cSt (50°C) and 210 bar
seals:	optional Buna (NBR) or Viton (FPM), as well as Teflon wascher (PTFE)
power consumption:	20 W
cavity:	C-10-2 see datasheet no. <u>IK-100-109-00</u>
housing:	2LH-10.-B.. see datasheet no. <u>IH-100-000-00</u>
seal kit:	SP-MDS-10N-21 (NBR), SP-MDS-10V-21 (FPM)