

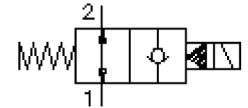
# 2 way, 2 position solenoid valve, poppet type (normally open)

SV3-10.-0-0-.....

MS-430-099-00

(subject to change)

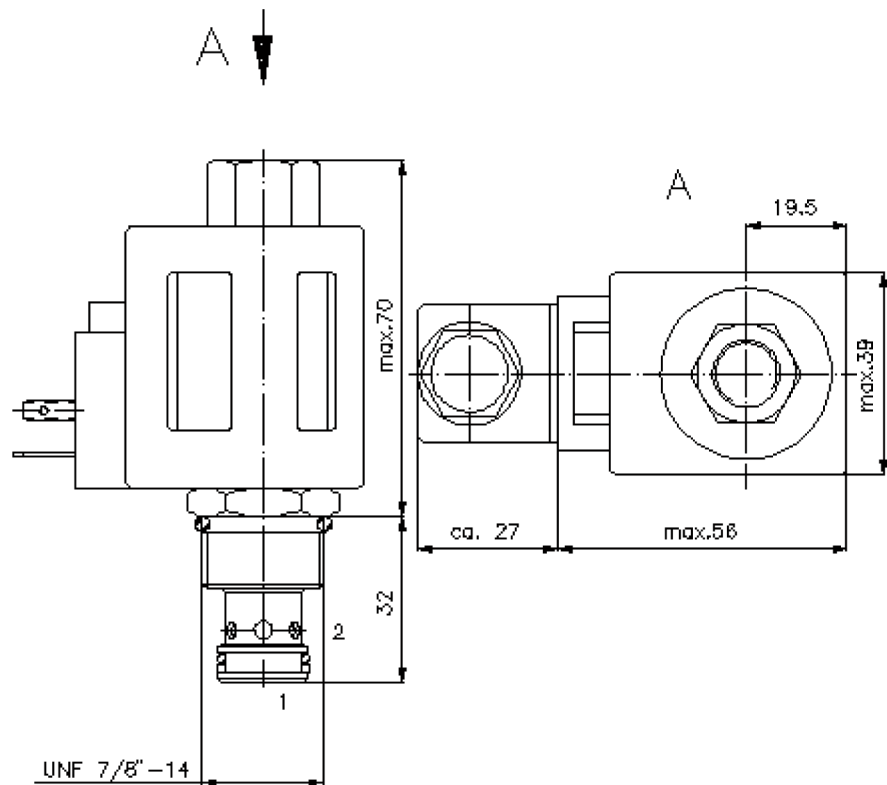
FAT•N



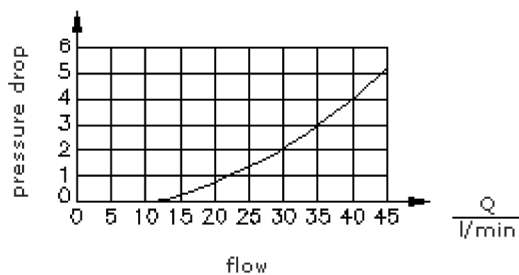
HEX 3/4"  
(torque  
cartridge:  
5 - 8 Nm)

HEX 1"  
(torque  
cartridge:  
48 - 54 Nm)

cavity:  
C-10-2  
see  
data-sheet no.:  
[IK-100-109-00](#)



$\frac{\Delta p}{\text{bar}}$   $\Delta p$ -Q-characteristic  
at 22 cst (50°C)



# 2 way, 2 position solenoid valve, poppet type (normally open)

SV3-10.-0-0-.....

MS-430-099-00

(subject to change)

FAT•N

## Ordering example:

SV3 - 10N - 0 - 0 - 024D - G  
|        |        |        |        |        |  
**A**    **B**    **C**    **D**    **E**    **F**

## Model code:

- |  |   |
|--|---|
| <p><b>A design</b><br/>solenoid valve<br/>poppet type valve<br/>pilot operated</p> <p><b>B size and sealing</b><br/>10N = Buna (NBR)<br/>10V = Viton (FPM)</p> <p><b>C symbol function mode</b><br/>0 = normally open</p> <p><b>D construction</b><br/>0 = screw-in valve</p> <p><b>E voltage</b><br/>DC current:<br/>012D = 12V DC<br/>024D = 24V DC<br/>AC current:<br/>120A = 120V AC<br/>240A = 240V AC<br/>other voltage on request</p> | <p><b>F power supply</b><br/>G = DIN 43650 connector, other<br/>connectors see data sheet no.: MS-010-<br/>000-00</p> |
|--|---|

## Technical Data:

<b>nominal pressure:</b>	210 bar
<b>nominal flow:</b>	45 l/min
<b>weight:</b>	0.4 kg
<b>temperature range:</b>	-40°C to 120°C
<b>fluids:</b>	hydraulic oil as per DIN 51524 T1 (ISO TC 131)
<b>max. leakage:</b>	5 drops/min at 22 cSt (50°C) and 210 bar
<b>seals:</b>	optional Buna (NBR) or Viton (FPM), as well as Teflon wascher (PTFE)
<b>power consumption:</b>	20 W
<b>cavity:</b>	C-10-2 see datasheet no. <a href="#">IK-100-109-00</a>
<b>housing:</b>	2LH-10.-B.. see datasheet no. <a href="#">IH-100-000-00</a>
<b>seal kit:</b>	SP-MDS-10N-21 (NBR), SP-MDS-10V-21 (FPM)