

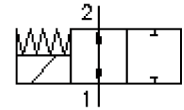
2 way, 2 position solenoid valve, spool type (normally open)

SV14-10.-0-0-.....H

MS-310-101-00

(subject to change)

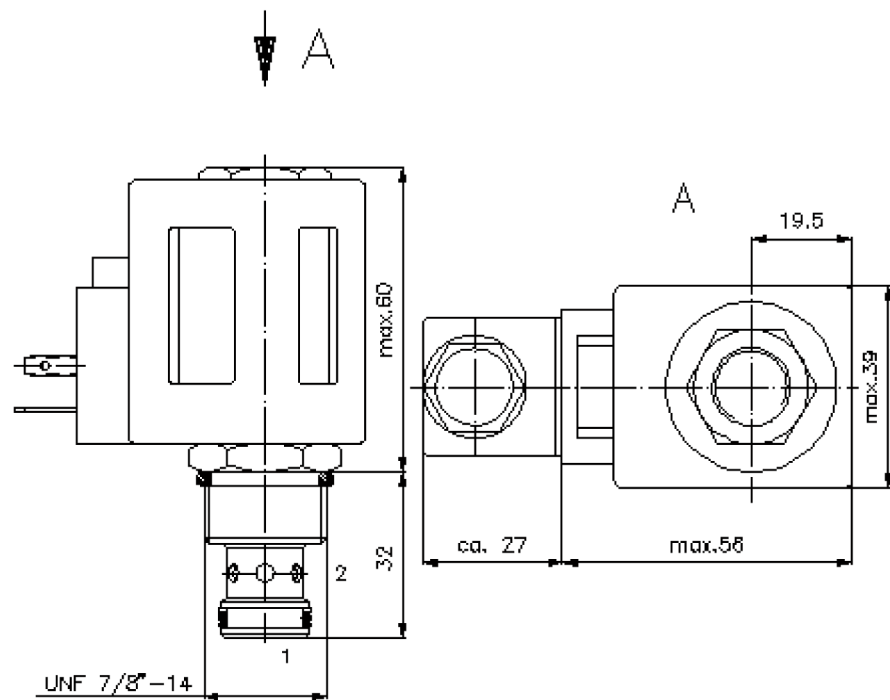
FAT•N



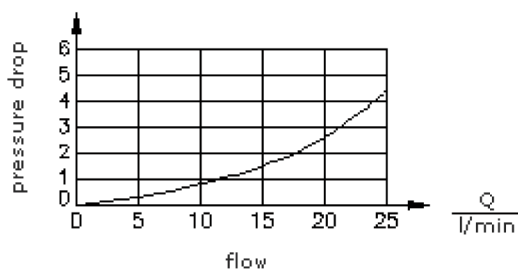
HEX 3/4"
(torque
cartridge:
5 - 8 Nm)

HEX 1"
(torque
cartridge:
48 - 54 Nm)

cavity:
C-10-2
see
data-sheet no.:
IK-100-109-00



$\frac{\Delta p}{\text{bar}}$ Δp -Q-characteristic
at 22 cSt (50°C)



2 way, 2 position solenoid valve, spool type (normally open)

SV14-10.-0-0-.....H



Motrac Hydraulik GmbH
Siemensring 87 - D-47877 Willich
fon +49-(0)2154-8162.0 - fax +49-(0)2154-8162.499
e-mail info.mhw@motracindustries.com
internet www.motracindustries.com

MS-310-101-00

(subject to change)

FAT•N

Ordering example:

SV14 - 10N - 0 - 0 - 024D - G H
| | | | | | |
A **B** **C** **D** **E** **F** **G**

Model code:

- A design**
solenoid valve
spool type valve
direct acting
- B size and sealing**
10N = Buna (NBR)
10V = Viton (FPM)
- C symbol function mode**
0 = normally open
- D construction**
0 = screw-in valve
- E voltage**
DC current:
012D = 12V DC
024D = 24V DC
AC current:
120A = 120V AC
240A = 240V AC
other voltage on request
- F power supply**
G = DIN 43650 connector, other
connectors see data sheet no.: MS-010-
000-00
- G coil**
H = high pressure variant

Technical Data:

| | |
|---------------------------|--|
| nominal pressure: | 350 |
| nominal flow: | 23 l/min |
| weight: | 0.5 kg |
| temperature range: | -40°C to 100°C |
| fluids: | hydraulic oil as per DIN 51524 T1 (ISO TC 131) |
| max. leakage: | 140 ccm/min at 22 cSt (50°C) and 350 bar |
| seals: | optional Buna (NBR) or Viton (FPM), as well as Teflon wascher (PTFE) |
| power consumption: | 26 W |
| cavity: | C-10-2 see datasheet no. IK-100-109-00 |
| housing: | 2LH-10.-B.. see datasheet no. IH-100-000-00 |
| seal kit: | SP-MDS-10N-22 (NBR), SP-MDS-10V-22 (FPM) |