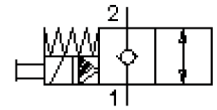


2 way, 2 pos. solenoid valve, poppet type (normally closed with manual override)

SV13-16.-C.-0-.....H

MS-240-162-00

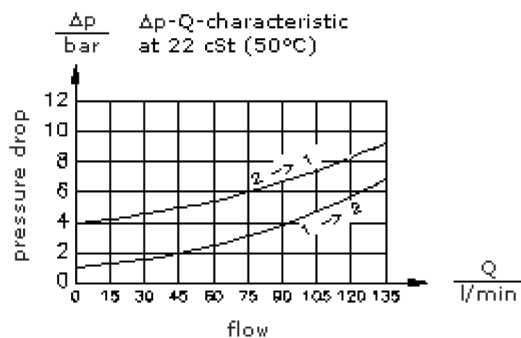
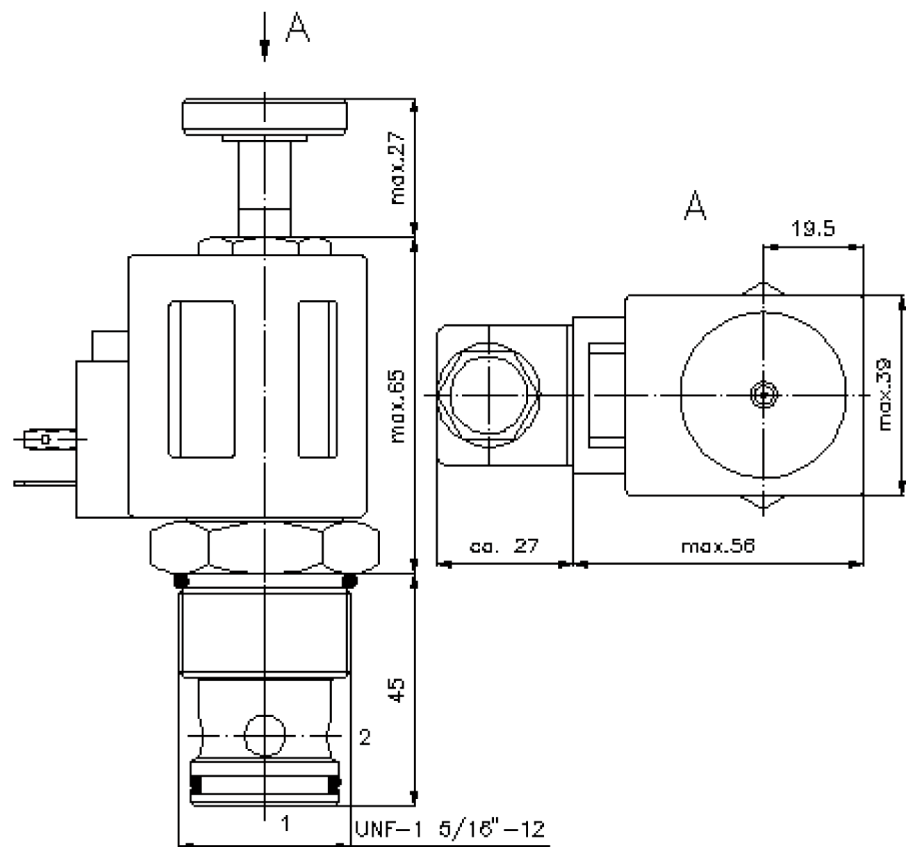
(subject to change)



HEX 3/4"
(torque
cartridge:
5 - 8 Nm)

HEX 1 1/2"
(torque
cartridge:
109 - 122 Nm)

cavity:
C-16-2
see
data-sheet no.:
[IK-100-169-00](#)



2 way, 2 pos. solenoid valve, poppet type (normally closed with manual override)

SV13-16.-C.-0-.....H

MS-240-162-00

(subject to change)

FAT•N

Ordering example:

SV13 - 16N - CM - 0 - 024D - G H

A **B** **C** **D** **E** **F** **G**

Model code:

- | | |
|---|--|
| <p>A design
solenoid valve
poppet type valve
pilot operated</p> <p>B size and sealing
16N = Buna (NBR)
16V = Viton (FPM)</p> <p>C symbol function mode
CM = normally closed with manual override
type "M"</p> <p>D construction
0 = screw-in valve</p> <p>E voltage
DC current:
012D = 12V DC
024D = 24V DC
AC current:
120A = 120V AC
240A = 240V AC
other voltage on request</p> | <p>F power supply
G = DIN 43650 connector, other
connectors see data sheet no.: MS-010-
000-00</p> <p>G coil
H = high pressure variant</p> |
|---|--|

Technical Data:

nominal pressure:	350 bar
nominal flow:	132 l/min
weight:	1.25 kg
temperature range:	-40°C to 100°C
fluids:	hydraulic oil as per DIN 51524 T1 (ISO TC 131)
max. leakage:	5 drops/min at 22 cSt (50°C) and 350 bar
seals:	optional Buna (NBR) or Viton (FPM), as well as Teflon wascher (PTFE)
power consumption:	26 W
cavity:	C-16-2 see datasheet no. IK-100-169-00
housing:	2LH-16.-B.. see datasheet no. IH-100-000-00
seal kit:	SP-MDS-16N-21 (NBR), SP-MDS-16V-21 (FPM)