

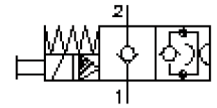
2 way, 2 pos. solenoid valve, poppet type (normally closed with manual override)

SV1-10.-C.-0-.....

MS-220-100-00

(subject to change)

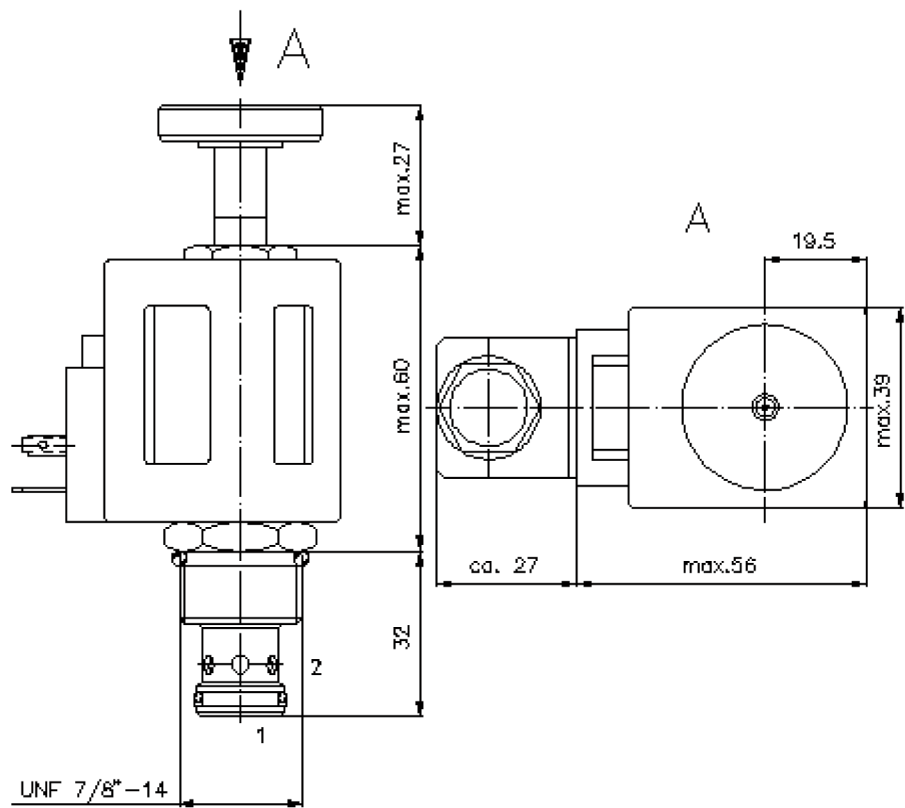
FAT•N



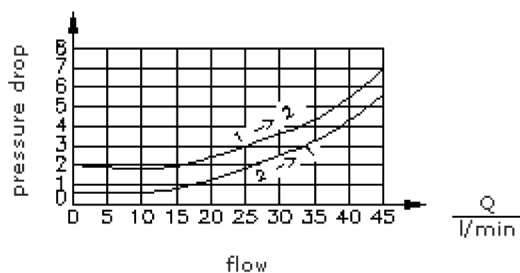
HEX 3/4"
(torque
cartridge:
5 - 8 Nm)

HEX 1"
(torque
cartridge:
48 - 54 Nm)

cavity:
C-10-2
see
data-sheet no.:
IK-100-109-00



$\frac{\Delta p}{\text{bar}}$ Δp -Q-characteristic
at 22 cst (50°C)



2 way, 2 pos. solenoid valve, poppet type (normally closed with manual override)

SV1-10.-C.-0-.....

MS-220-100-00

(subject to change)

FAT•N

Ordering example:

SV1 - 10N - CM - 0 - 024D - G

A	B	C	D	E	F

Model code:

- | | |
|---|--|
| <p>A design
solenoid valve
poppet type valve
pilot operated</p> <p>B size and sealing
10N = Buna (NBR)
10V = Viton (FPM)</p> <p>C symbol function mode
CM = normally closed with manual override
type "M"
CR = normally closed with manual override
type "R"</p> <p>D construction
0 = screw-in valve</p> | <p>E voltage
DC current:
012D = 12V DC
024D = 24V DC
AC current:
120A = 120V AC
240A = 240V AC
other voltage on request</p> <p>F power supply
G = DIN 43650 connector, other
connectors see data sheet no.: MS-010-
000-00</p> |
|---|--|

Technical Data:

nominal pressure:	210 bar
nominal flow:	45 l/min
weight:	0.4 kg
temperature range:	-40°C to 120°C
fluids:	hydraulic oil as per DIN 51524 T1 (ISO TC 131)
max. leakage:	5 drops/min at 22 cSt (50°C) and 210 bar
seals:	optional Buna (NBR) or Viton (FPM), as well as Teflon wascher (PTFE)
power consumption:	20 W
response times:	with 100% change of current, nominal pressure and approx. 80% of the flow open: 18 ms close: 46 ms
cavity:	C-10-2 see datasheet no. IK-100-109-00
housing:	2LH-10.-B.. see datasheet no. IH-100-000-00
seal kit:	SP-MDS-10N-21 (NBR), SP-MDS-10V-21 (FPM)