

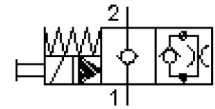
2 way, 2 pos. solenoid valve, poppet type (normally closed with manual override)

SV15-08.-C.-0-.....H

MS-210-082-00

(subject to change)

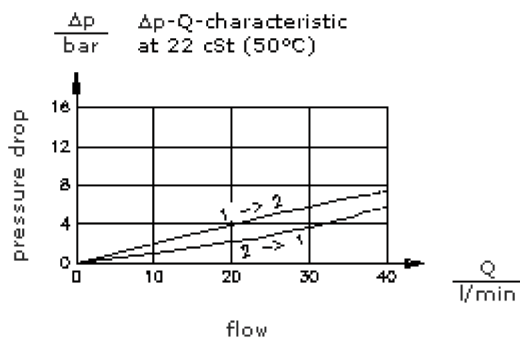
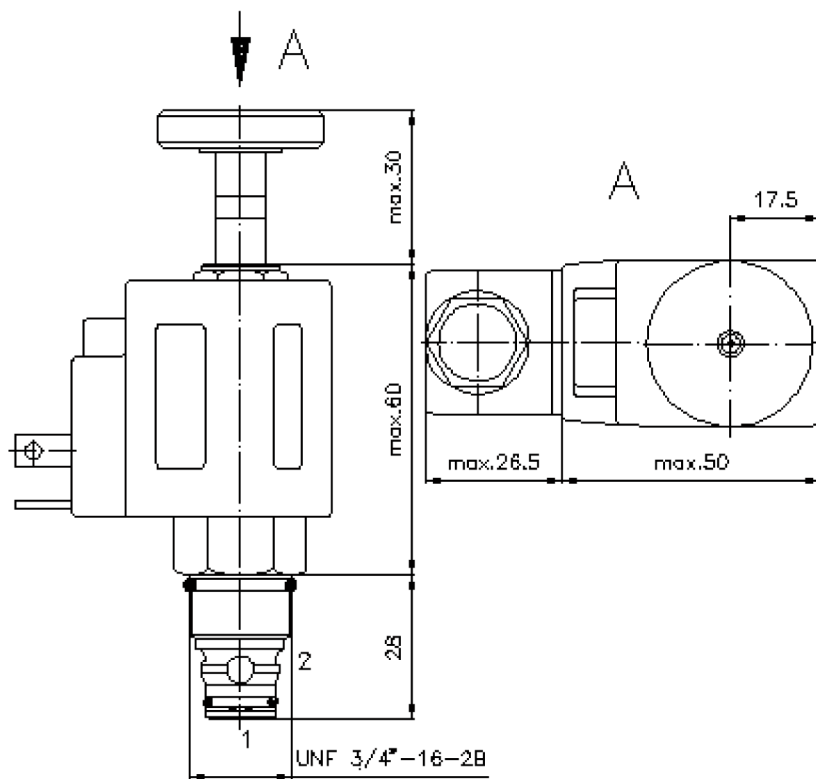
FAT•N



HEX 5/8"
(torque
cartridge:
5 - 8 Nm)

HEX 7/8"
(torque
cartridge:
34 - 40 Nm)

cavity:
C-08-2
see
data-sheet no.:
IK-100-089-00



2 way, 2 pos. solenoid valve, poppet type (normally closed with manual override)

SV15-08.-C.-0-.....H



Motrac Hydraulik GmbH
Siemensring 87 - D-47877 Willich
fon +49-(0)2154-8162.0 - fax +49-(0)2154-8162.499
e-mail info.mhw@motracindustries.com
internet www.motracindustries.com

FAT•N

MS-210-082-00

(subject to change)

Ordering example:

SV15 - 08N - CM - 0 - 024D - G H



Model code:

- | | |
|---|--|
| A design
solenoid valve
poppet type valve
pilot operated | F power supply
G = DIN 43650 connector, other
connectors see data sheet no.: MS-010-
000-00 |
| B size and sealing
08N = Buna (NBR)
08V = Viton (FPM) | G coil
H = high pressure variant |
| C symbol function mode
CM = normally closed with manual override
type "M" | |
| D construction
0 = screw-in valve | |
| E voltage
DC current:
012D = 12V DC
024D = 24V DC
AC current:
120A = 120V AC
240A = 240V AC
other voltage on request | |

Technical Data:

nominal pressure:	350 bar
nominal flow:	37 l/min
weight:	0.33 kg
temperature range:	-40°C to 100°C
fluids:	hydraulic oil as per DIN 51524 T1 (ISO TC 131)
max. leakage:	5 drops/min at 22 cSt (50°C) and 350 bar
seals:	optional Buna (NBR) or Viton (FPM), as well as Teflon wascher (PTFE)
power consumption:	20 W
cavity:	C-08-2 see datasheet no. IK-100-089-00
housing:	2LH-08.-B.. see datasheet no.: IH-100-000-00
seal kit:	SP-MDS-08N-22 (NBR), SP-MDS-08V-22 (FPM)