

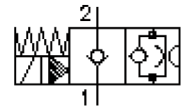
2 way, 2 position solenoid valve, poppet type (normally closed)

SV15-08.-C-0-.....H

MS-210-081-00

(subject to change)

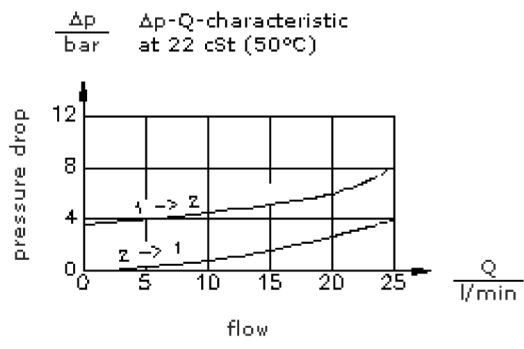
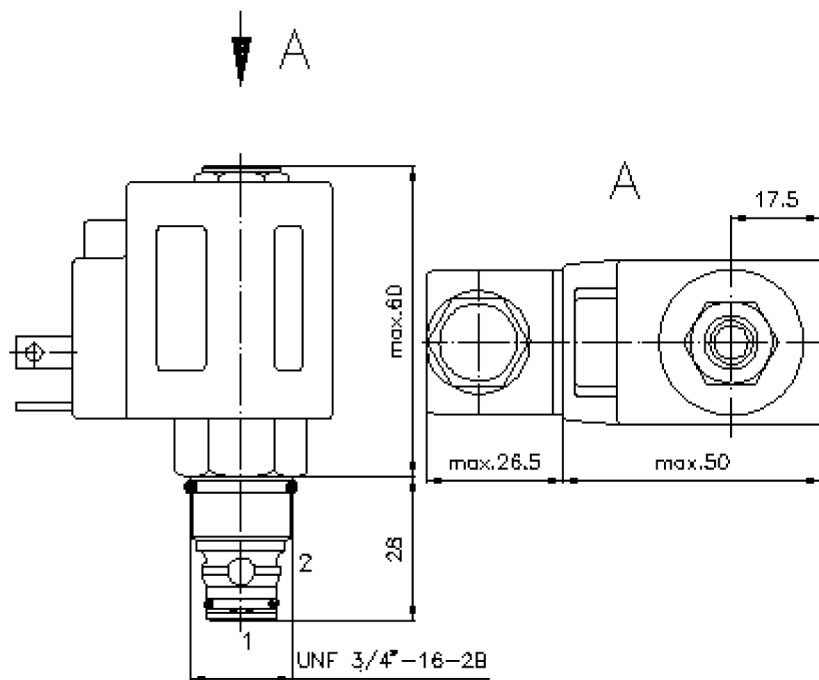
FAT-N



HEX 5/8"
(torque
cartridge:
5 - 8 Nm)

HEX 7/8"
(torque
cartridge:
34 - 40 Nm)

cavity:
C-08-2
see
data-sheet no.:
IK-100-089-00



2 way, 2 position solenoid valve, poppet type (normally closed)

SV15-08.-C-0-.....H



Motrac Hydraulik GmbH
Siemensring 87 - D-47877 Willich
fon +49-(0)2154-8162.0 - fax +49-(0)2154-8162.499
e-mail info.mhw@motracindustries.com
internet www.motracindustries.com

MS-210-081-00

(subject to change)

FAT•N

Ordering example:

SV15 - 08N - C - 0 - 024D - G H
| | | | | | |
A **B** **C** **D** **E** **F** **G**

Model code:

- A design**
solenoid valve
poppet type valve
pilot operated
- B size and sealing**
08N = Buna (NBR)
08V = Viton (FPM)
- C symbol function mode**
C = normally closed
- D construction**
0 = screw-in valve
- E voltage**
DC current:
012D = 12V DC
024D = 24V DC
AC current:
120A = 120V AC
240A = 240V AC
other voltage on request
- F power supply**
G = DIN 43650 connector, other
connectors see data sheet no.: MS-010-000-00
- G coil**
H = high pressure variant

Technical Data:

nominal pressure:	350 bar
nominal flow:	37 l/min
weight:	0.33 kg
temperature range:	-40°C to 100°C
fluids:	hydraulic oil as per DIN 51524 T1 (ISO TC 131)
max. leakage:	5 drops/min at 22 cSt (50°C) and 350 bar
seals:	optional Buna (NBR) or Viton (FPM), as well as Teflon wascher (PTFE)
power consumption:	20 W
cavity:	C-08-2 see datasheet no. IK-100-089-00
housing:	2LH-08.-B.. see datasheet no.: IH-100-000-00
seal kit:	SP-MDS-08N-22 (NBR), SP-MDS-08V-22 (FPM)