

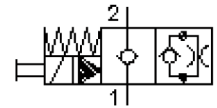
# 2 way, 2 pos. solenoid valve, poppet type (normally closed with manual override)

SV5-08.-C.-0-.....

**MS-210-080-00**

(subject to change)

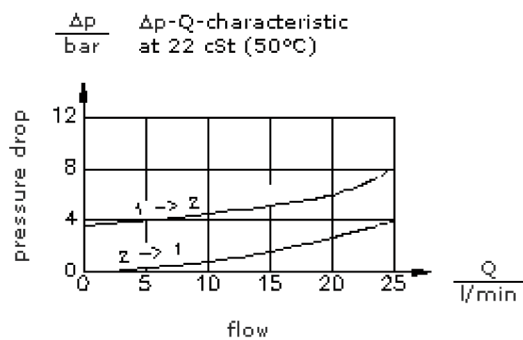
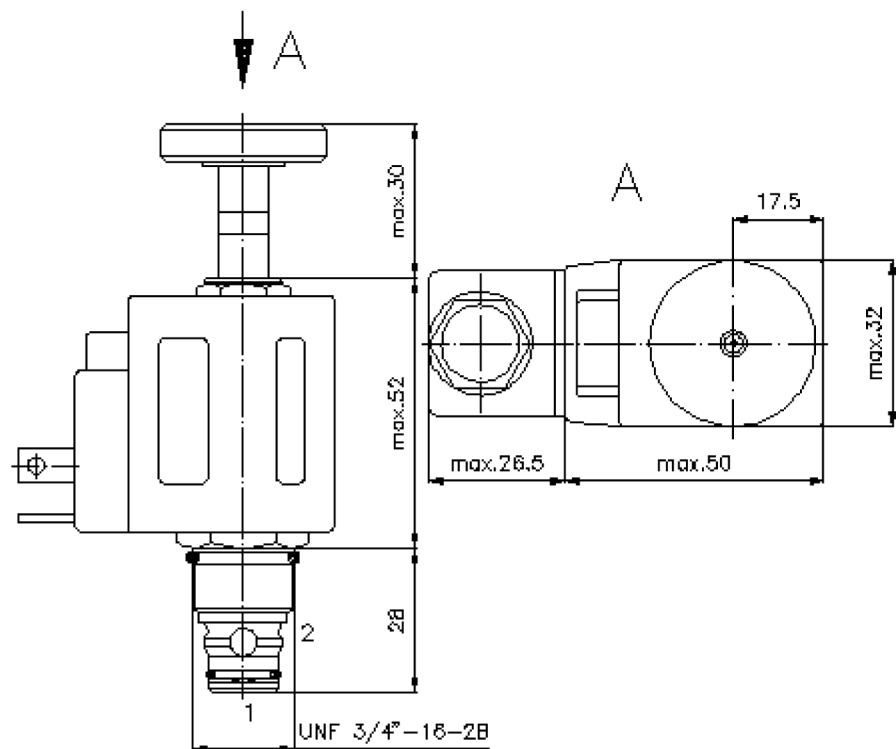
**FAT-N**



HEX 5/8"  
(torque  
cartridge:  
5 - 8 Nm)

HEX 7/8"  
(torque  
cartridge:  
34 - 40 Nm)

cavity:  
C-08-2  
see  
data-sheet no.:  
IK-100-089-00



# 2 way, 2 pos. solenoid valve, poppet type (normally closed with manual override)

SV5-08.-C.-0-.....



Motrac Hydraulik GmbH  
Siemensring 87 - D-47877 Willich  
fon +49-(0)2154-8162.0 - fax +49-(0)2154-8162.499  
e-mail info.mhw@motracindustries.com  
internet www.motracindustries.com

MS-210-080-00

(subject to change)

FAT•N

## Ordering example:

SV5 - 08N - CM - 0 - 024D - G  
|        |        |        |        |        |  
**A**    **B**    **C**    **D**    **E**    **F**

## Model code:

- |   |   |
|---|---|
| <p><b>A design</b><br/>solenoid valve<br/>poppet type valve<br/>pilot operated</p> <p><b>B size and sealing</b><br/>08N = Buna (NBR)<br/>08V = Viton (FPM)</p> <p><b>C symbol function mode</b><br/>CM = normally closed with manual override<br/>type "M"</p> <p><b>D construction</b><br/>0 = screw-in valve</p> <p><b>E voltage</b><br/>DC current:<br/>012D = 12V DC<br/>024D = 24V DC<br/>AC current:<br/>120A = 120V AC<br/>240A = 240V AC<br/>other voltage on request</p> | <p><b>F power supply</b><br/>G = DIN 43650 connector, other<br/>connectors see data sheet no.: MS-010-<br/>000-00</p> |
|---|---|

## Technical Data:

<b>nominal pressure:</b>	210 bar
<b>nominal flow:</b>	23 l/min
<b>weight:</b>	0.28 kg
<b>temperature range:</b>	-40°C to 120°C
<b>fluids:</b>	hydraulic oil as per DIN 51524 T1 (ISO TC 131)
<b>max. leakage:</b>	5 drops/min at 22 cSt (50°C) and 210 bar
<b>seals:</b>	optional Buna (NBR) or Viton (FPM), as well as Teflon wascher (PTFE)
<b>power consumption:</b>	16 W
<b>response times:</b>	with 100% change of current, nominal pressure and approx. 80% of the flow open: 18 ms close: 46 ms
<b>cavity:</b>	C-08-2 see datasheet no. <a href="#">IK-100-089-00</a>
<b>housing:</b>	2LH-08.-B.. see datasheet no.: <a href="#">IH-100-000-00</a>
<b>seal kit:</b>	SP-MDS-08N-21 (NBR), SP-MDS-08V-21 (FPM)