

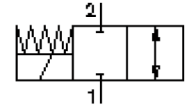
# 2 way, 2 position solenoid valve, spool type (normally closed)

SV14-10.-C-0-.....H

**MS-110-101-00**

(subject to change)

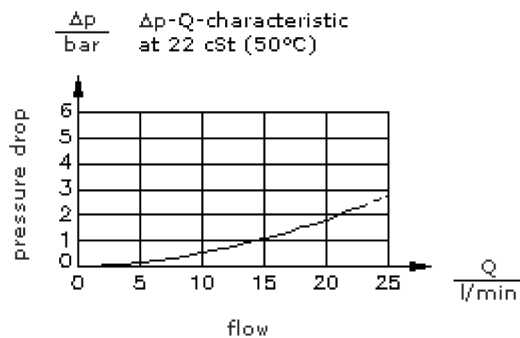
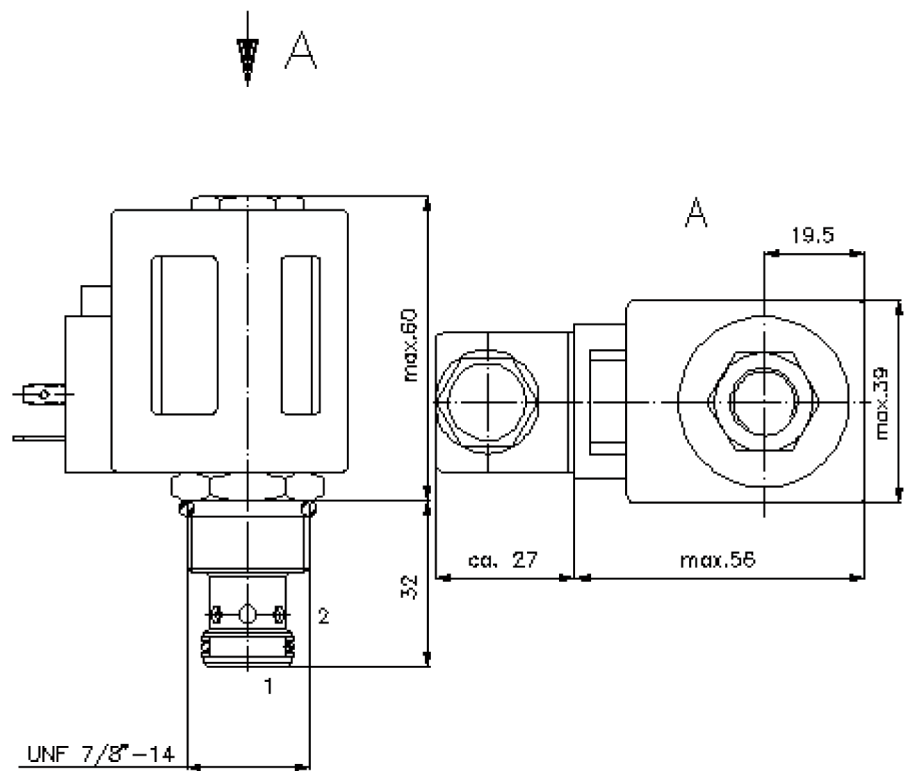
**FAT•N**



HEX 3/4"  
(torque  
cartridge:  
5 - 8 Nm)

HEX 1"  
(torque  
cartridge:  
48 - 54 Nm)

cavity:  
C-10-2  
see  
data-sheet no.:  
[IK-100-109-00](#)



# 2 way, 2 position solenoid valve, spool type (normally closed)

SV14-10.-C-0-.....H

MS-110-101-00

(subject to change)

FAT•N

## Ordering example:

SV14 - 10N - C - 0 - 024D - G H

↓       ↓       ↓       ↓       ↓       ↓       ↓

**A**    **B**    **C**    **D**    **E**    **F**    **G**

## Model code:

- A design**  
solenoid valve  
spool type valve  
direct acting
- B size and sealing**  
10N = Buna (NBR)  
10V = Viton (FPM)
- C symbol function mode**  
C = normally closed
- D construction**  
0 = screw-in valve
- E voltage**  
DC current:  
012D = 12V DC  
024D = 24V DC  
AC current:  
120A = 120V AC  
240A = 240V AC  
other voltage on request
- F power supply**  
G = DIN 43650 connector, other  
connectors see data sheet no.: MS-010-  
000-00
- G coil**  
H = high pressure variant

## Technical Data:

<b>nominal pressure:</b>	350 bar
<b>nominal flow:</b>	23 l/min
<b>weight:</b>	0.5 kg
<b>temperature range:</b>	-40°C to 100°C
<b>fluids:</b>	hydraulic oil as per DIN 51524 T1 (ISO TC 131)
<b>max. leakage:</b>	140 ccm/min at 22 cSt (50°C) and 350 bar
<b>seals:</b>	optional Buna (NBR) or Viton (FPM), as well as Teflon wascher (PTFE)
<b>power consumption:</b>	26 W
<b>cavity:</b>	C-10-2 see datasheet no. <a href="#">IK-100-109-00</a>
<b>housing:</b>	2LH-10.-B.. see datasheet no. <a href="#">IH-100-000-00</a>
<b>seal kit:</b>	SP-MDS-10N-22 (NBR), SP-MDS-10V-22 (FPM)