

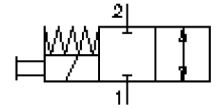
2 way, 2 pos. solenoid valve, spool type (normally closed with manual override)

SV4-10.-C.-0-.....

MS-110-100-00

(subject to change)

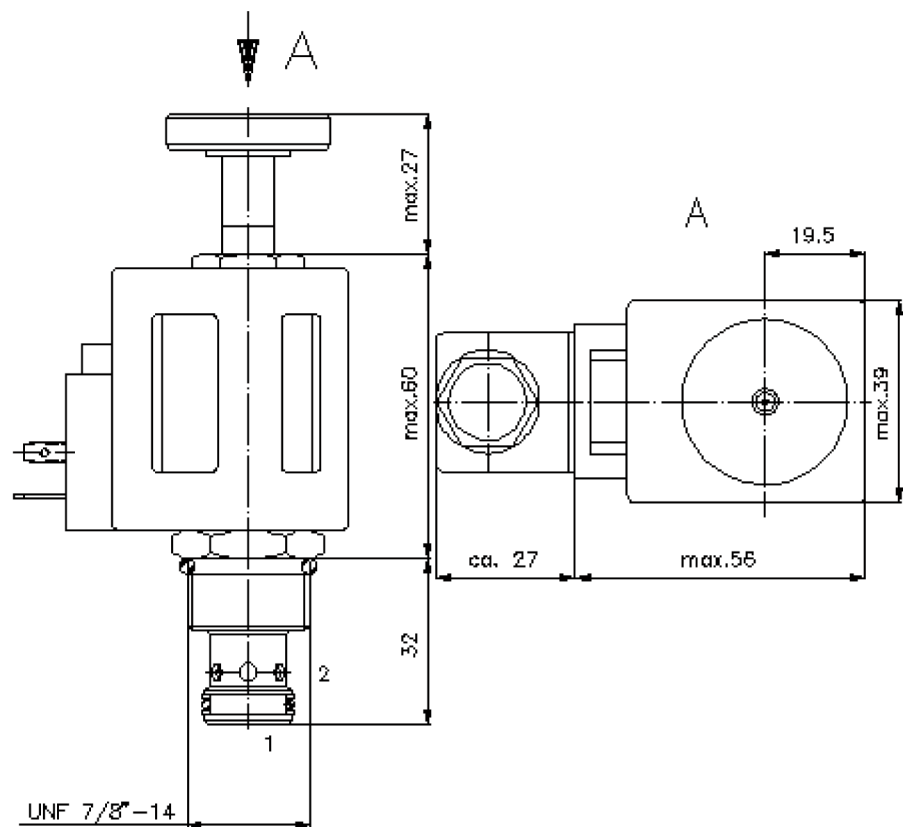
FAT-N



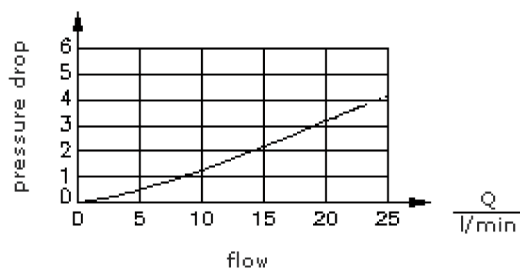
HEX 3/4"
(torque
cartridge:
5 - 8 Nm)

HEX 1"
(torque
cartridge:
48 - 54 Nm)

cavity:
C-10-2
see
data-sheet no.:
IK-100-109-00

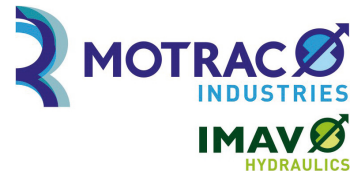


$\frac{\Delta p}{\text{bar}}$ Δp -Q-characteristic
at 22 cSt (50°C)



2 way, 2 pos. solenoid valve, spool type (normally closed with manual override)

SV4-10.-C.-0-.....



Motrac Hydraulik GmbH
Siemensring 87 - D-47877 Willich
fon +49-(0)2154-8162.0 - fax +49-(0)2154-8162.499
e-mail info.mhw@motracindustries.com
internet www.motracindustries.com

FAT•N

MS-110-100-00

(subject to change)

Ordering example:

SV4 - 10N - CM - 0 - 024D - G
| | | | | |
A **B** **C** **D** **E** **F**

Model code:

- | | |
|---|--|
| <p>A design
solenoid valve
spool type valve
direct acting</p> <p>B size and sealing
10N = Buna (NBR)
10V = Viton (FPM)</p> <p>C symbol function mode
CM = normally closed with manual override
type "M"
CR = normally closed with manual override
type "R"</p> <p>D construction
0 = screw-in valve</p> | <p>E voltage
DC current:
012D = 12V DC
024D = 24V DC
AC current:
120A = 120V AC
240A = 240V AC
other voltage on request</p> <p>F power supply
G = DIN 43650 connector, other
connectors see data sheet no.: MS-010-
000-00</p> |
|---|--|

Technical Data:

nominal pressure:	210 bar
nominal flow:	23 l/min
weight:	0.4 kg
temperature range:	-40°C to 120°C
fluids:	hydraulic oil as per DIN 51524 T1 (ISO TC 131)
max. leakage:	85 ccm/min. at 22 cSt (50°C) and 210 bar
seals:	optional Buna (NBR) or Viton (FPM), as well as Teflon wascher (PTFE)
power consumption:	20 W
cavity:	C-10-2 see datasheet no. IK-100-109-00
housing:	2LH-10.-B.. see datasheet no. IH-100-000-00
seal kit:	SP-MDS-10N-22 (NBR), SP-MDS-10V-22 (FPM)