

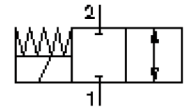
# 2 way, 2 position solenoid valve, spool type (normally closed)

SV4-10.-C-0-.....

**MS-110-099-00**

(subject to change)

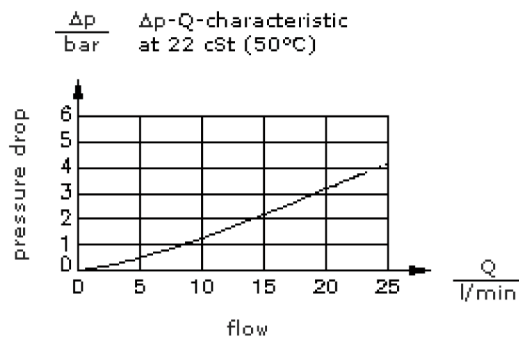
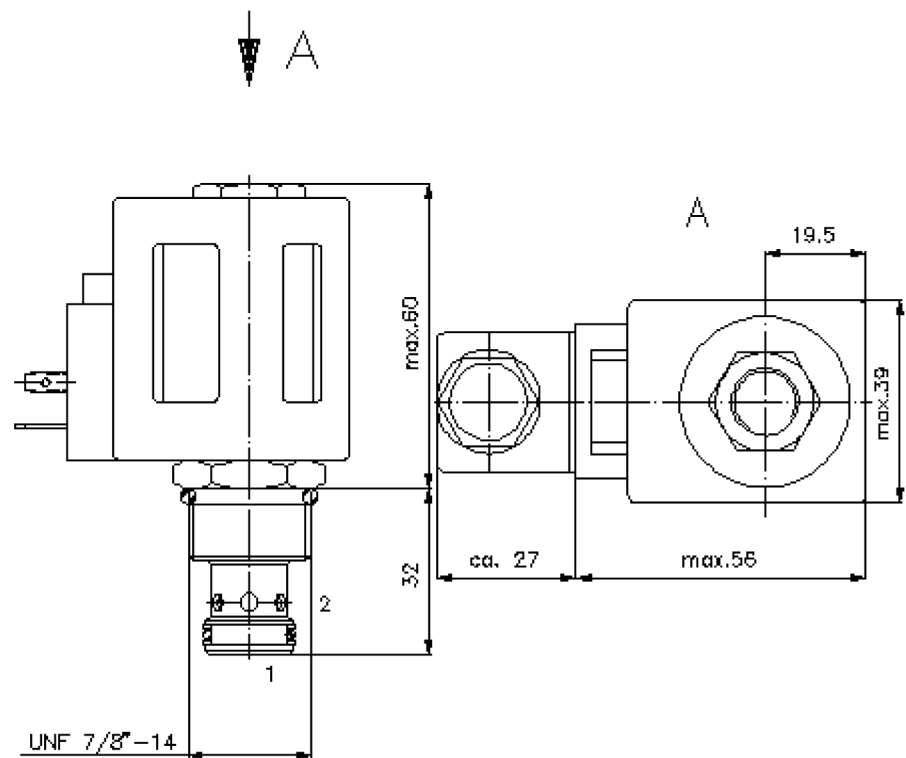
**FAT-N**



HEX 3/4"  
(torque  
cartridge:  
5 - 8 Nm)

HEX 1"  
(torque  
cartridge:  
48 - 54 Nm)

cavity:  
C-10-2  
see  
data-sheet no.:  
[IK-100-109-00](#)



# 2 way, 2 position solenoid valve, spool type (normally closed)

SV4-10.-C-0-.....



Motrac Hydraulik GmbH  
Siemensring 87 - D-47877 Willich  
fon +49-(0)2154-8162.0 - fax +49-(0)2154-8162.499  
e-mail info.mhw@motracindustries.com  
internet www.motracindustries.com

MS-110-099-00

(subject to change)

FAT•N

## Ordering example:

SV4 - 10N - C - 0 - 024D - G  
|        |        |        |        |        |  
**A**     **B**     **C**     **D**     **E**     **F**

## Model code:

- A design**  
solenoid valve  
spool type valve  
direct acting
- B size and sealing**  
10N = Buna (NBR)  
10V = Viton (FPM)
- C symbol function mode**  
C = normally closed
- D construction**  
0 = screw-in valve
- E voltage**  
DC current:  
012D = 12V DC  
024D = 24V DC  
AC current:  
120A = 120V AC  
240A = 240V AC  
other voltage on request
- F power supply**  
G = DIN 43650 connector, other  
connectors see data sheet no.: MS-010-  
000-00

## Technical Data:

<b>nominal pressure:</b>	210 bar
<b>nominal flow:</b>	23 l/min
<b>weight:</b>	0.4 kg
<b>temperature range:</b>	-40°C to 120°C
<b>fluids:</b>	hydraulic oil as per DIN 51524 T1 (ISO TC 131)
<b>max. leakage:</b>	85 ccm/min. at 22 cSt (50°C) and 210 bar
<b>seals:</b>	optional Buna (NBR) or Viton (FPM), as well as Teflon wascher (PTFE)
<b>power consumption:</b>	20 W
<b>cavity:</b>	C-10-2 see datasheet no. <a href="#">IK-100-109-00</a>
<b>housing:</b>	2LH-10.-B.. see datasheet no. <a href="#">IH-100-000-00</a>
<b>seal kit:</b>	SP-MDS-10N-22 (NBR), SP-MDS-10V-22 (FPM)