

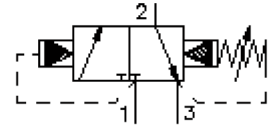
3 way, 2 position screw-in valve (pilot operated, adjustable)

PSV1-16.-.-0-..

MP-760-160-00

(subject to change)

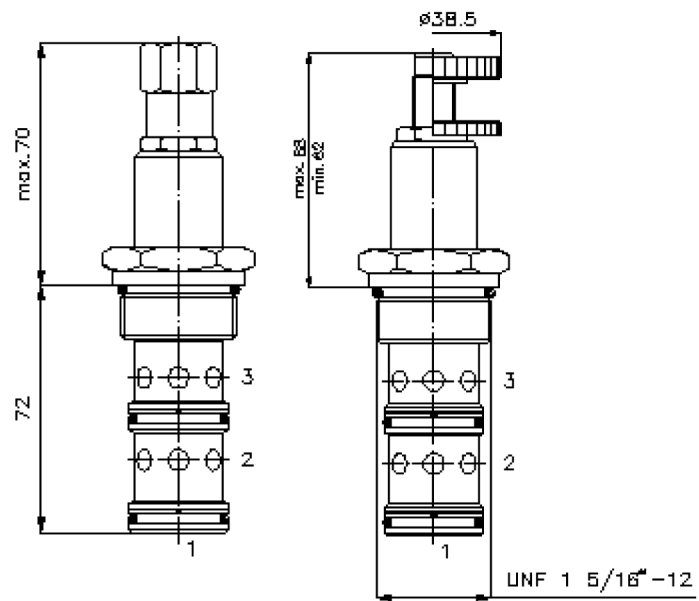
FAT-N



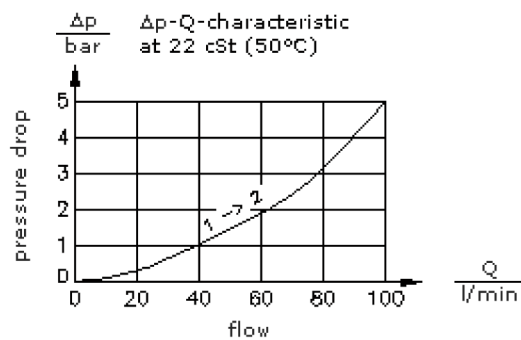
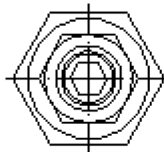
HEX 3/4"

HEX 1 1/2"
(torque
cartridge:
109 - 122 Nm)

cavity:
C-16-3
see
data-sheet no.:
IK-300-169-00



HEX 3/16"



3 way, 2 position screw-in valve (pilot operated, adjustable)

PSV1-16.-.-0-..



Motrac Hydraulik GmbH
Siemensring 87 - D-47877 Willich
fon +49-(0)2154-8162.0 - fax +49-(0)2154-8162.499
e-mail info.miw@motracindustries.com
internet www.motracindustries.com

MP-760-160-00

(subject to change)

FAT•N

Ordering example:

PSV1 - 16N - C - 0 - 30
| | | | |
A **B** **C** **D** **E**

Model code:

- | | |
|---|--|
| A design pressure sequence valve spool type valve pilot operated | D construction 0 = screw-in valve |
| B size and sealing 16N = Buna (NBR) 16V = Viton (FPM) | E pressure range 30 = 34.0 - 210 bar 60 = 70.0 - 415 bar |
| C adjustment S = screw adjustment C = cap K = handknob | |

Technical Data:

| | |
|---------------------------|--|
| note: | port "1" max. pressure 415 bar |
| nominal pressure: | 350 bar |
| nominal flow: | 95 l/min |
| weight: | 0.24 kg |
| temperature range: | -40°C to 120°C |
| fluids: | hydraulic oil as per DIN 51524 T1 (ISO TC 131) |
| seals: | optional Buna (NBR) or Viton (FPM), as well as Teflon wascher (PTFE) |
| cavity: | C-16-3 see datasheet no. IK-300-169-00 |
| housing: | 3LH-16.-B.. see datasheet no. IH-300-000-00 |
| seal kit: | SP-MDS-16N-32 (NBR), SP-MDS-16V-32 (FPM) |