

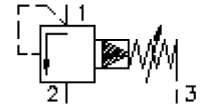
pressure sequence screw-in valve (pilot operated, adjustable)

PSV11-12.-.-0-..

MP-750-120-00

(subject to change)

FAT-N

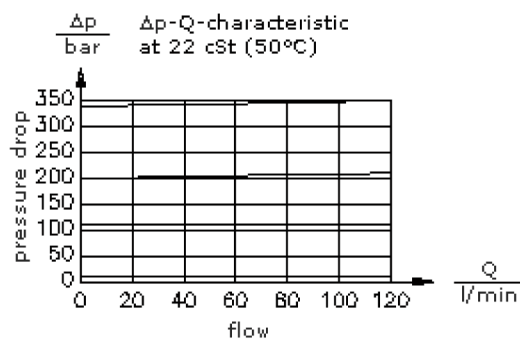
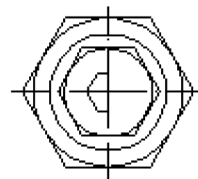
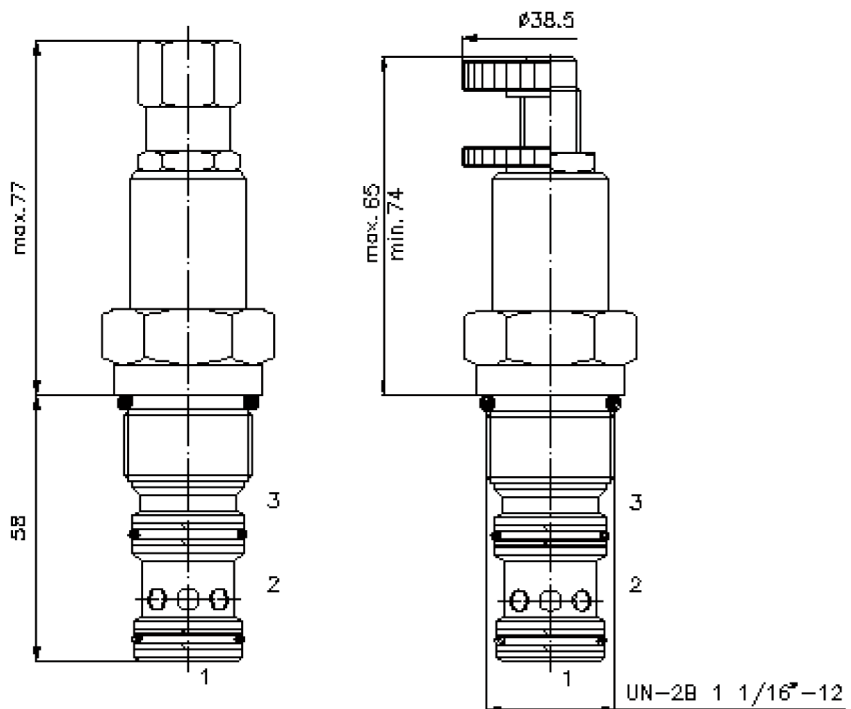


HEX 3/4"

HEX 1 1/4"
(torque
cartridge:
85 - 94 Nm)

cavity:
C-12-3S
see
data-sheet no.:
IK-200-129-00

HEX 3/8"



pressure sequence screw-in valve (pilot operated, adjustable)

PSV11-12.-.-0-..



Motrac Hydraulik GmbH
Siemensring 87 - D-47877 Willich
fon +49-(0)2154-8162.0 - fax +49-(0)2154-8162.499
e-mail info.miw@motracindustries.com
internet www.motracindustries.com

MP-750-120-00

(subject to change)

FAT•N

Ordering example:

PSV11 - 12N - C - 0 - 30
| | | | |
A **B** **C** **D** **E**

Model code:

- A design**
pressure sequence valve
spool type valve
pilot operated
- B size and sealing**
12N = Buna (NBR)
12V = Viton (FPM)
- C adjustment**
S = screw adjustment
C = cap
K = handknob

- D construction**
0 = screw-in valve
- E pressure range**
15 = 10.0 - 100 bar
30 = 17.0 - 210 bar
50 = 24.0 - 350 bar

Technical Data:

nominal pressure:	350 bar
nominal flow:	114 l/min
weight:	0.4 kg
temperature range:	-40°C to 120°C
fluids:	hydraulic oil as per DIN 51524 T1 (ISO TC 131)
max. leakage:	189 ccm/min at 22 cSt (50°C) and 80% crack pressure
seals:	optional Buna (NBR) or Viton (FPM), as well as Teflon wascher (PTFE)
cavity:	C-12-3S see datasheet no. IK-200-129-00
housing:	3SLH-12.-B.. see datasheet no. IH-200-000-00
seal kit:	SP-MDS-12N-34 (NBR), SP-MDS-12V-34 (FPM)