

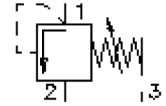
# pressure sequence screw-in valve (direct acting, adjustable)

PSV7-10.-.-0-..

MP-740-100-00

(subject to change)

FAT•N



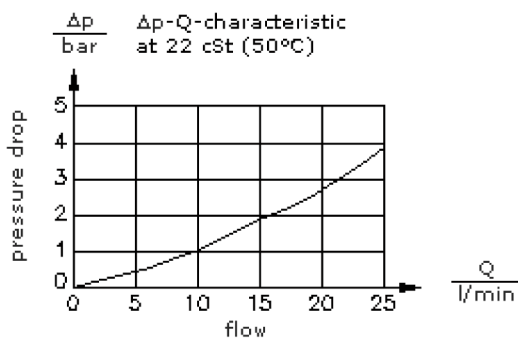
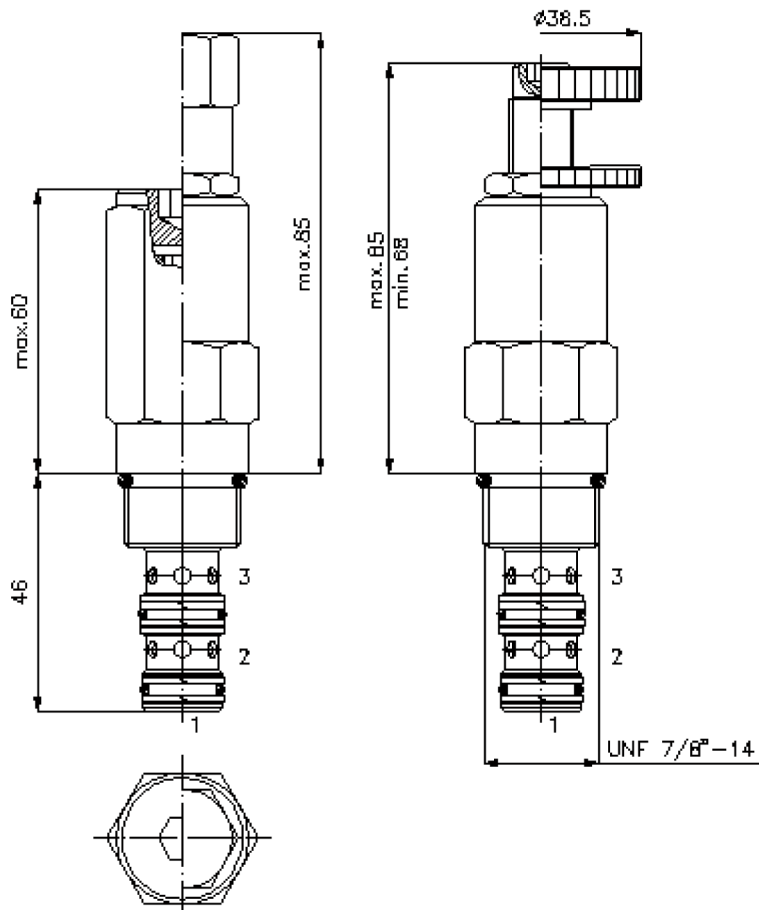
HEX 3/4"

HEX 1"  
(torque  
cartridge:  
48 - 54 Nm)

cavity:  
C-10-3  
see  
data-sheet no.:  
[IK-300-109-00](#)

HEX 5/16" ("J")  
(HEX 1/4")

HEX 3/16" ("S")



# pressure sequence screw-in valve (direct acting, adjustable)

PSV7-10.-.-0-..



Motrac Hydraulik GmbH  
Siemensring 87 - D-47877 Willich  
fon +49-(0)2154-8162.0 - fax +49-(0)2154-8162.499  
e-mail info.miw@motracindustries.com  
internet www.motracindustries.com

FAT•N

MP-740-100-00

(subject to change)

## Ordering example:

PSV7 - 10N - C - 0 - 12  
|        |        |        |        |  
**A**    **B**    **C**    **D**    **E**

## Model code:

- |   |   |
|---|---|
| <p><b>A design</b><br/>pressure sequence valve<br/>spool type valve<br/>direct acting</p> <p><b>B size and sealing</b><br/>10N = Buna (NBR)<br/>10V = Viton (FPM)</p> <p><b>C adjustment</b><br/>J = internal<br/>S = screw adjustment<br/>C = cap<br/>K = handknob</p> | <p><b>D construction</b><br/>0 = screw-in valve</p> <p><b>E pressure range</b><br/>02 = 3.5 - 10 bar<br/>03 = 5.0 - 20 bar<br/>05 = 7.0 - 30 bar<br/>10 = 14.0 - 65 bar<br/>18 = 20.0 - 125 bar</p> |
|---|---|

## Technical Data:

<b>note:</b>	port "1" max. pressure 125 bar
<b>nominal pressure:</b>	210 bar
<b>nominal flow:</b>	23 l/min
<b>weight:</b>	0.24 kg
<b>temperature range:</b>	-40°C to 120°C
<b>fluids:</b>	hydraulic oil as per DIN 51524 T1 (ISO TC 131)
<b>seals:</b>	optional Buna (NBR) or Viton (FPM), as well as Teflon wascher (PTFE)
<b>cavity:</b>	C-10-3 see datasheet no. <a href="#">IK-300-109-00</a>
<b>housing:</b>	3LH-10.-B.. see datasheet no. <a href="#">IH-300-000-00</a>
<b>seal kit:</b>	SP-MDS-10N-34 (NBR), SP-MDS-10V-34 (FPM)