

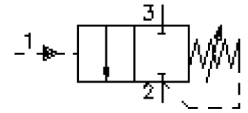
pressure sequence screw-in valve (direct acting, adjustable)

PSV4-10.-.-0-..

MP-570-101-00

(subject to change)

FAT•N



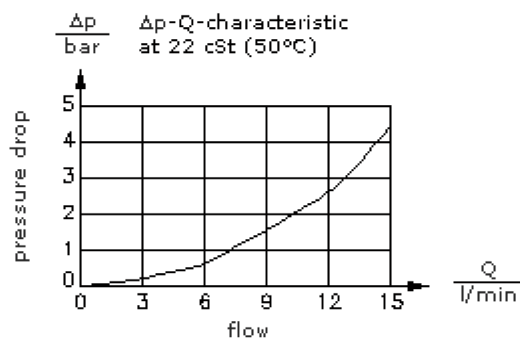
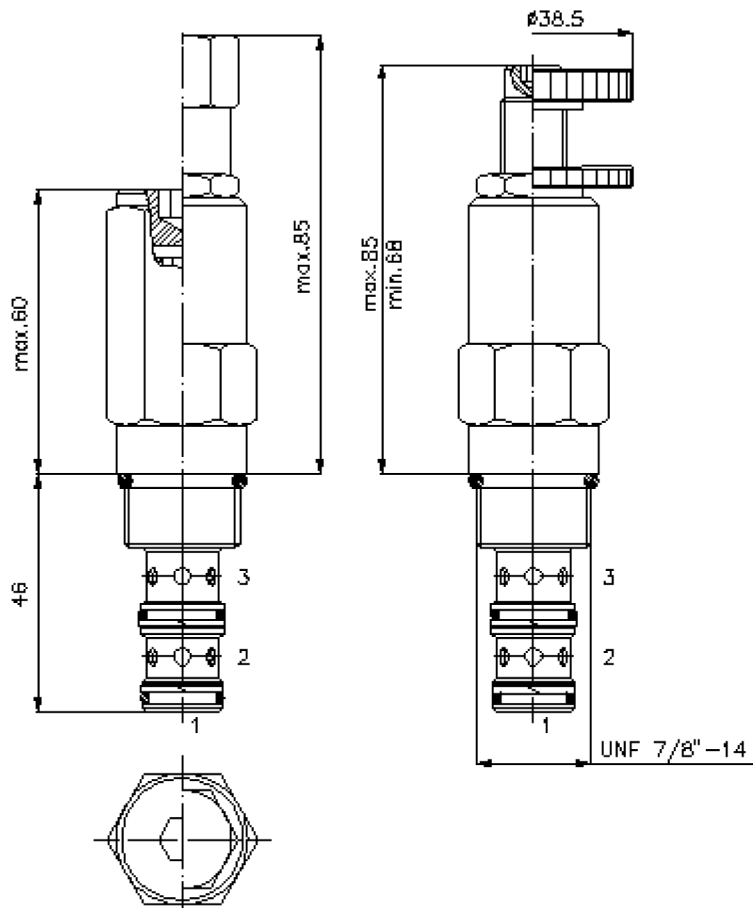
HEX 3/4"

HEX 1"
(torque
cartridge:
48 - 54 Nm)

cavity:
C-10-3
see
data-sheet no.:
[IK-300-109-00](#)

HEX 5/16" ("J")
(HEX 1/4")

HEX 3/16" ("S")



pressure sequence screw-in valve (direct acting, adjustable)

PSV4-10.-.-0-..



Motrac Hydraulik GmbH
Siemensring 87 - D-47877 Willich
fon +49-(0)2154-8162.0 - fax +49-(0)2154-8162.499
e-mail info.miw@motracindustries.com
internet www.motracindustries.com

MP-570-101-00

(subject to change)

FAT•N

Ordering example:

PSV4 - 10N - C - 0 - 14
| | | | |
A **B** **C** **D** **E**

Model code:

- A design**
pressure-sequence-valve
spool type valve
direct acting
- B size and sealing**
10N = Buna (NBR)
10V = Viton (FPM)
- C adjustment**
J = internal
S = screw adjustment
C = cap
K = handknob

- D construction**
0 = screw-in valve
- E pressure range**
05 = 3.5 - 30 bar
09 = 7.0 - 62 bar
14 = 14.0 - 95 bar
28 = 20.0 - 190 bar
56 = 35.0 - 380 bar

Technical Data:

- note:** port "1" max. pressure 380 bar
port "2" and "3" max. pressure 210 bar
- nominal pressure:** 380 bar
- nominal flow:** 15 l/min
- weight:** 0.24 kg
- temperature range:** -40°C to 120°C
- fluids:** hydraulic oil as per DIN 51524 T1 (ISO TC 131)
- seals:** optional Buna (NBR) or Viton (FPM), as well as Teflon wascher (PTFE)
- cavity:** C-10-3 see datasheet no. [IK-300-109-00](#)
- housing:** 3LH-10.-B.. see datasheet no. [IH-300-000-00](#)
- seal kit:** SP-MDS-10N-32 (NBR), SP-MDS-10V-32 (FPM)