

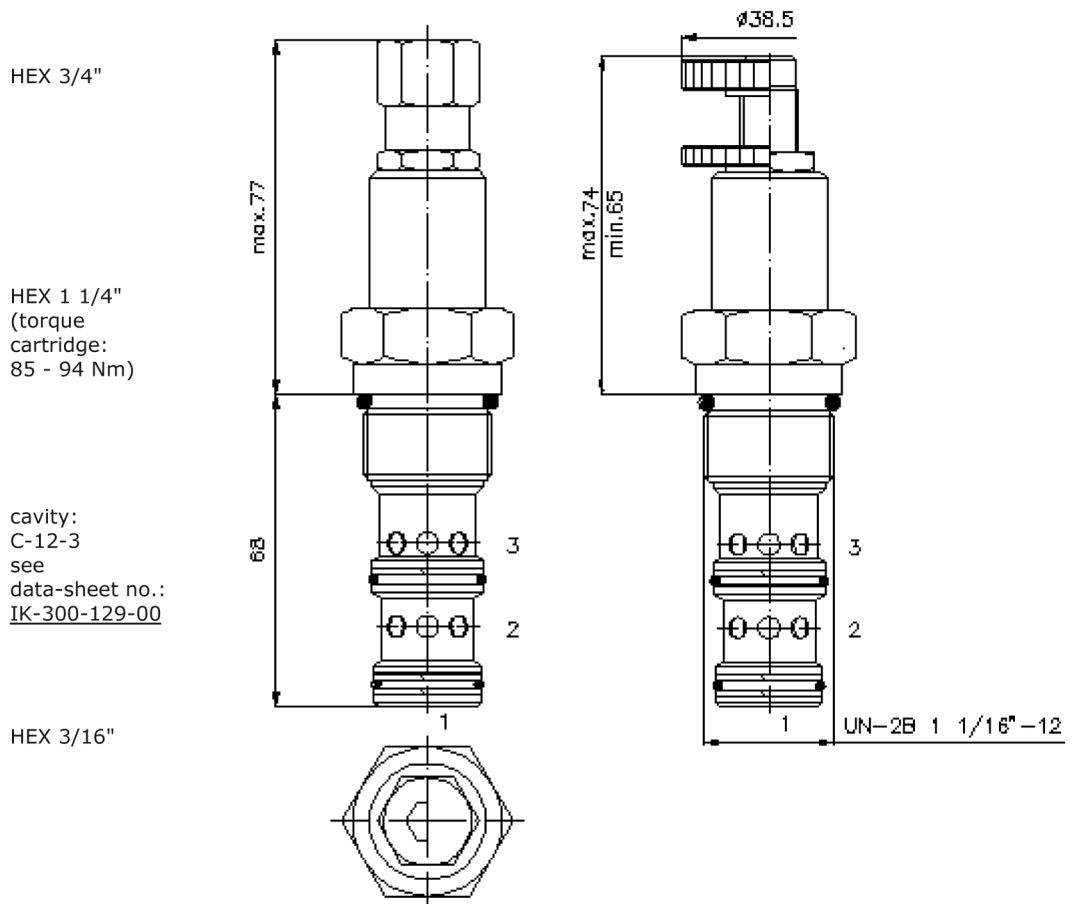
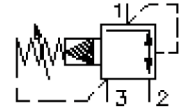
3-way pressure reducing screw-in valve (pilot operated, adjustable)

PRV12-12.-.-0-..

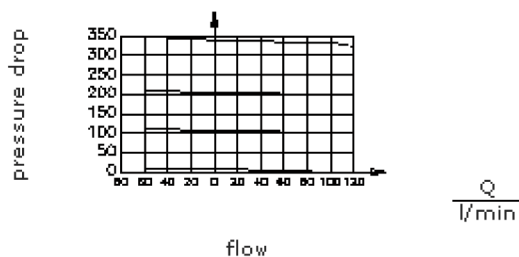
MP-240-121-00

(subject to change)

FAT-N



$\frac{\Delta p}{\text{bar}}$ Δp -Q-characteristic
at 22 cSt (50°C)



3-way pressure reducing screw-in valve (pilot operated, adjustable)

PRV12-12.-.-0-..



Motrac Hydraulik GmbH
Siemensring 87 - D-47877 Willich
fon +49-(0)2154-8162.0 - fax +49-(0)2154-8162.499
e-mail info.miw@motracindustries.com
internet www.motracindustries.com

FAT•N

MP-240-121-00

(subject to change)

Ordering example:

PRV12 - 12N - C - 0 - 30
| | | | |
A **B** **C** **D** **E**

Model code:

A design
pressure regulator valve
spool type valve
pilot operated

B size and sealing
12N = Buna (NBR)
12V = Viton (FPM)

C adjustment
S = screw adjustment
C = cap
K = handknob

D construction
0 = screw-in valve

E pressure range
15 = 10.0 - 100 bar
30 = 17.0 - 210 bar
50 = 24.0 - 350 bar

Technical Data:

nominal pressure: 350 bar

nominal flow: 114 l/min at 210bar
57 l/min at 350 bar

weight: 0.4 kg

temperature range: -40°C to 120°C

fluids: hydraulic oil as per DIN 51524 T1 (ISO TC 131)

max. leakage: 1 l/min at 22 cSt (50°C) and 210 bar (pilot)

seals: optional Buna (NBR) or Viton (FPM), as well as Teflon wascher (PTFE)

cavity: C-12-3 see datasheet no. [IK-300-129-00](#)

housing: 3LH-12.-B.. see datasheet no. [IH-300-000-00](#)

seal kit: SP-MDS-12N-33 (NBR), SP-MDS-12V-33 (FPM)