

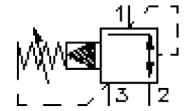
3-way pressure reducing screw-in valve (pilot operated, adjustable)

PRV2-10.-.-0-..

MP-210-101-00

(subject to change)

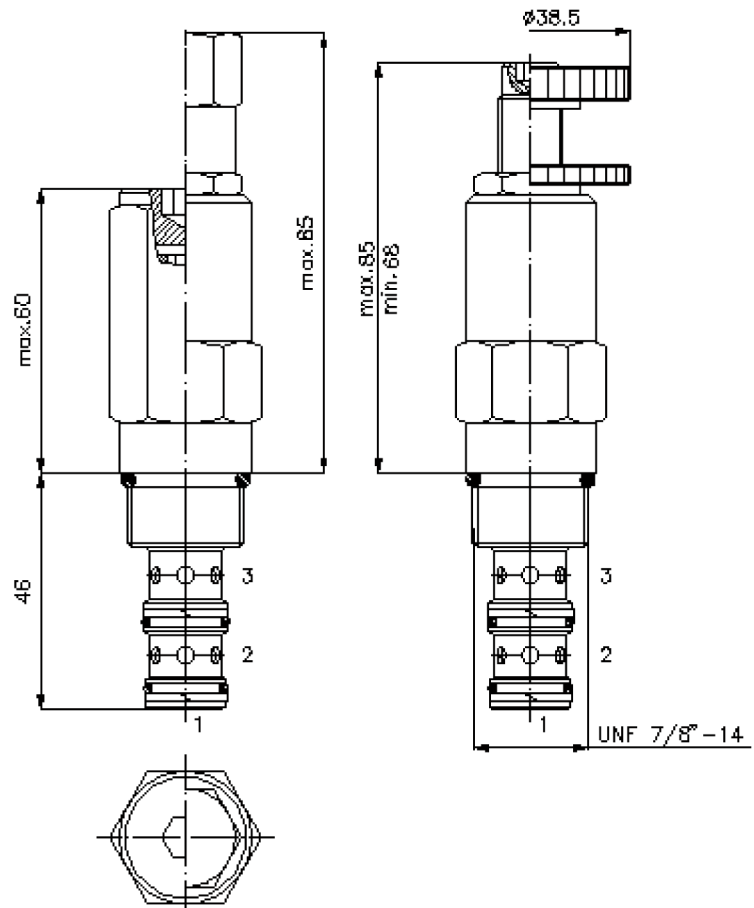
FAT•N



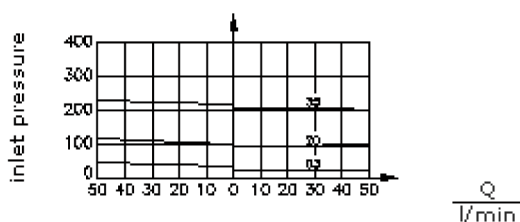
HEX 3/4"

HEX 1"
(torque
cartridge:
48 - 54 Nm)

cavity:
C-10-3
see
data-sheet no.:
[IK-300-109-00](#)



$\frac{\Delta p}{\text{bar}}$ Δp -Q-characteristic
at 22 cst (50°C)



relieving 1>3

reducing 2>1

3-way pressure reducing screw-in valve (pilot operated, adjustable)

PRV2-10.-.-0-..



Motrac Hydraulik GmbH
Siemensring 87 - D-47877 Willich
fon +49-(0)2154-8162.0 - fax +49-(0)2154-8162.499
e-mail info.miw@motracindustries.com
internet www.motracindustries.com

FAT•N

MP-210-101-00

(subject to change)

Ordering example:

PRV2 - 10N - C - 0 - 20
| | | | |
A **B** **C** **D** **E**

Model code:

- | | |
|--|---|
| A design
pressure regulator valve
spool type valve
pilot operated | D construction
0 = screw-in valve |
| B size and sealing
10N = Buna (NBR)
10V = Viton (FPM) | E pressure range
03 = 3.5 - 20 bar
20 = 7.0 - 140 bar
35 = 17.0 - 240 bar |
| C adjustment
J = internal
S = screw adjustment
C = cap
K = handknob | |

Technical Data:

nominal pressure:	240 bar
nominal flow:	38 l/min
weight:	0.24 kg
temperature range:	-40°C to 120°C
fluids:	hydraulic oil as per DIN 51524 T1 (ISO TC 131)
seals:	optional Buna (NBR) or Viton (FPM), as well as Teflon washer (PTFE)
cavity:	C-10-3 see datasheet no. IK-300-109-00
housing:	3LH-10.-B.. see datasheet no. IH-300-000-00
seal kit:	SP-MDS-10N-32 (NBR), SP-MDS-10V-32 (FPM)