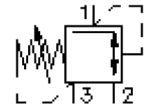


# 3-way pressure reducing screw-in valve (direkt acting, adjustable)

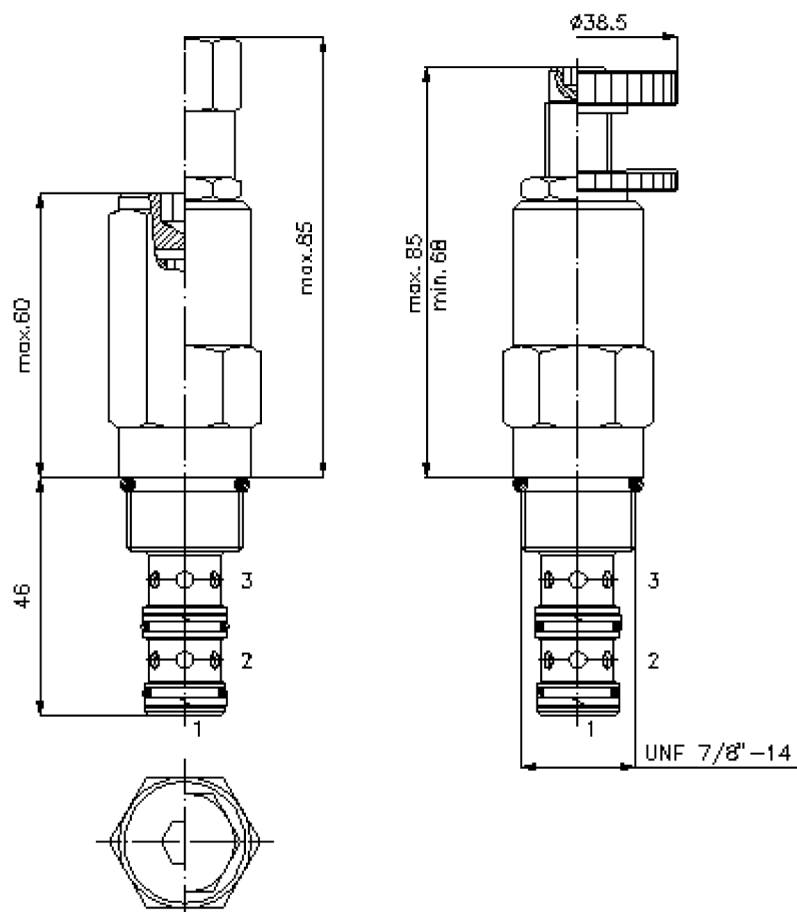
PRV1-10.-.-0-..



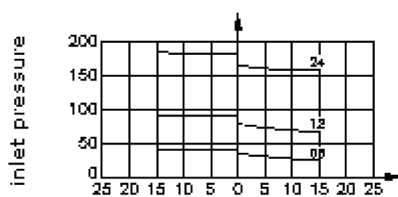
HEX 3/4"

HEX 1"  
(torque  
cartridge:  
48 - 54 Nm)

cavity:  
C-10-3  
see  
data-sheet no.:  
[IK-300-109-00](#)



$\frac{\Delta p}{\text{bar}}$   $\Delta p$ -Q-characteristic  
at 22 cSt (50°C)



relieving 1>3

reducing 2>1

# 3-way pressure reducing screw-in valve (direkt acting, adjustable)

PRV1-10.-.-0-..

MP-210-100-00

(subject to change)

**FAT•N**

## Ordering example:

PRV1 - 10N - C - 0 - 12  
|        |        |        |        |  
**A**    **B**    **C**    **D**    **E**

## Model code:

- |   |   |
|---|---|
| <b>A</b> <b>design</b><br>pressure regulator valve<br>spool type valve<br>direct acting       | <b>D</b> <b>construction</b><br>0 = screw-in valve  |
| <b>B</b> <b>size and sealing</b><br>10N = Buna (NBR)<br>10V = Viton (FPM)                     | <b>E</b> <b>pressure range</b><br>02 = 3.5 - 14 bar<br>06 = 7.0 - 40 bar<br>12 = 14.0 - 85 bar<br>24 = 30.0 - 165 bar |
| <b>C</b> <b>adjustment</b><br>J = internal<br>S = screw adjustment<br>C = cap<br>K = handknob |   |

## Technical Data:

<b>nominal pressure:</b>	165 bar
<b>nominal flow:</b>	15 l/min
<b>weight:</b>	0.24 kg
<b>temperature range:</b>	-40°C to 120°C
<b>fluids:</b>	hydraulic oil as per DIN 51524 T1 (ISO TC 131)
<b>seals:</b>	optional Buna (NBR) or Viton (FPM), as well as Teflon wascher (PTFE)
<b>cavity:</b>	C-10-3 see datasheet no. <a href="#">IK-300-109-00</a>
<b>housing:</b>	3LH-10.-B.. see datasheet no. <a href="#">IH-300-000-00</a>
<b>seal kit:</b>	SP-MDS-10N-32 (NBR), SP-MDS-10V-32 (FPM)