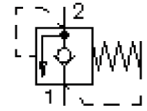


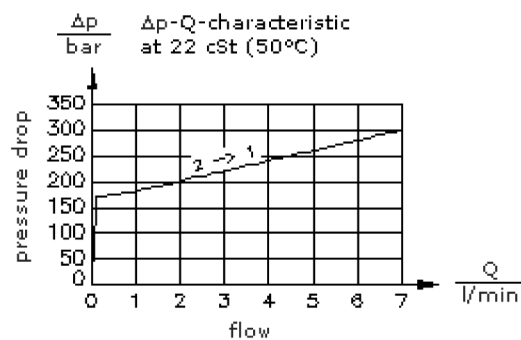
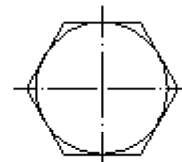
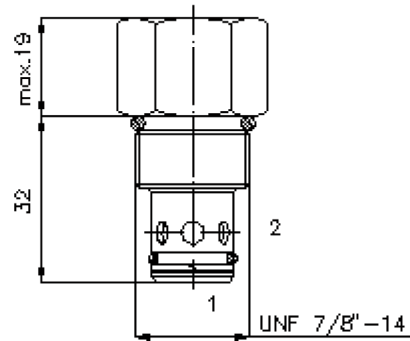
check valve, screw-in type (with relief function(fixed))

RV4-10.-.-0-..



HEX 1"
(torque
cartridge:
48 - 54 Nm)

cavity:
C-10-2
see
data-sheet no.:
IK-100-109-00



check valve, screw-in type (with relief function(fixed))

RV4-10.-.-0-..

MP-180-101-00

(subject to change)

FAT•N

Ordering example:

RV4 - 10N - C - 0 - 50 / 25

A	B	C	D	E	F

Model code:

- | | |
|--|--|
| <p>A design
check valve
poppet type valve
direct acting</p> <p>B size and sealing
10N = Buna (NBR)
10V = Viton (FPM)</p> <p>C adjustment
F = fixed</p> | <p>D construction
0 = screw-in valve</p> <p>E pressure range
50 = 28.0 - 350 bar</p> <p>F requested factory settings in 50 PSI (3.45 bar) steps
sample:
10 = 70 bar (1000 PSI)
25 = 175 - (2500 PSI)</p> |
|--|--|

Technical Data:

nominal pressure:	350 bar
nominal flow:	RV = 45 l/min DBV = 1 l/min
weight:	0.11 kg
temperature range:	-40°C to 120°C
fluids:	hydraulic oil as per DIN 51524 T1 (ISO TC 131)
max. leakage:	5 drops/min at 22 cSt (50°C) and 80% crack pressure
seals:	optional Buna (NBR) or Viton (FPM), as well as Teflon wascher (PTFE)
crack pressure:	1.24 bar
cavity:	C-10-2 see datasheet no. IK-100-109-00
housing:	2LH-10.-B.. see datasheet no. IH-100-000-00
seal kit:	SP-MDS-10N-21 (NBR), SP-MDS-10V-21 (FPM)