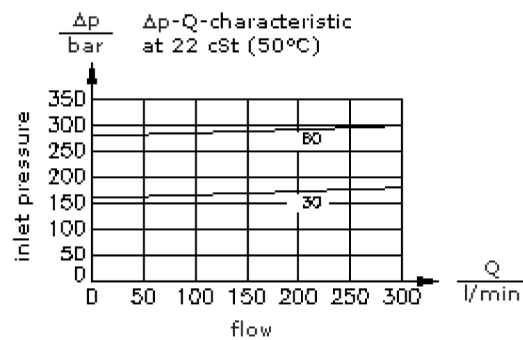
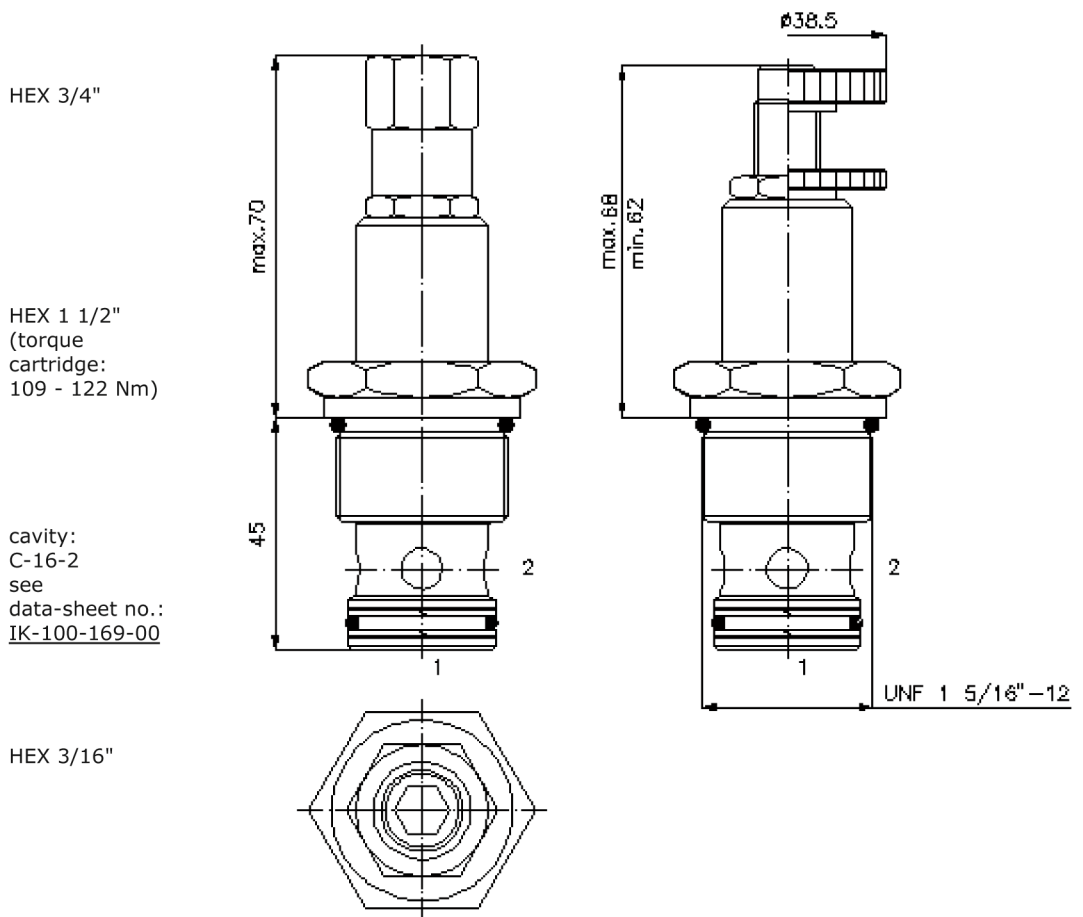
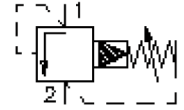


pressure relief valve, screw-in type (pilot operated, adjustable)

RV5-16.-.-0-..

MP-170-161-00

(subject to change)



pressure relief valve, screw-in type (pilot operated, adjustable)

RV5-16.-.-0-..



Motrac Hydraulik GmbH
Siemensring 87 - D-47877 Willich
fon +49-(0)2154-8162.0 - fax +49-(0)2154-8162.499
e-mail info.miw@motracindustries.com
internet www.motracindustries.com

MP-170-161-00

(subject to change)

FAT•N

Ordering example:

RV5 - 16N - C - 0 - 30
| | | | |
A **B** **C** **D** **E**

Model code:

- | | |
|---|--|
| A design
relief-valve
spool type valve
pilot operated | D construction
0 = screw-in valve |
| B size and sealing
16N = Buna (NBR)
16V = Viton (FPM) | E pressure range
30 = 34.0 - 210 bar
60 = 70.0 - 415 bar |
| C adjustment
S = screw adjustment
C = cap
K = handknob | |

Technical Data:

nominal pressure:	350 bar
nominal flow:	303 l/min
weight:	0.71 kg
temperature range:	-40°C to 120°C
fluids:	hydraulic oil as per DIN 51524 T1 (ISO TC 131)
max. leakage:	164 ccm/min at 22 cSt (50°C) and 350 bar
seals:	optional Buna (NBR) or Viton (FPM), as well as Teflon wascher (PTFE)
cavity:	C-16-2 see datasheet no. IK-100-169-00
housing:	2LH-16.-B.. see datasheet no. IH-100-000-00
seal kit:	SP-MDS-16N-22 (NBR), SP-MDS-16V-22 (FPM)