

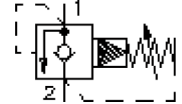
pressure relief valve, screw-in type (with by-pass check valve)

RV2-10.-.-0-..

MP-160-101-00

(subject to change)

FAT•N

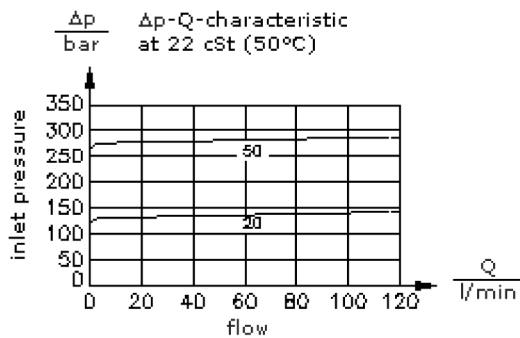
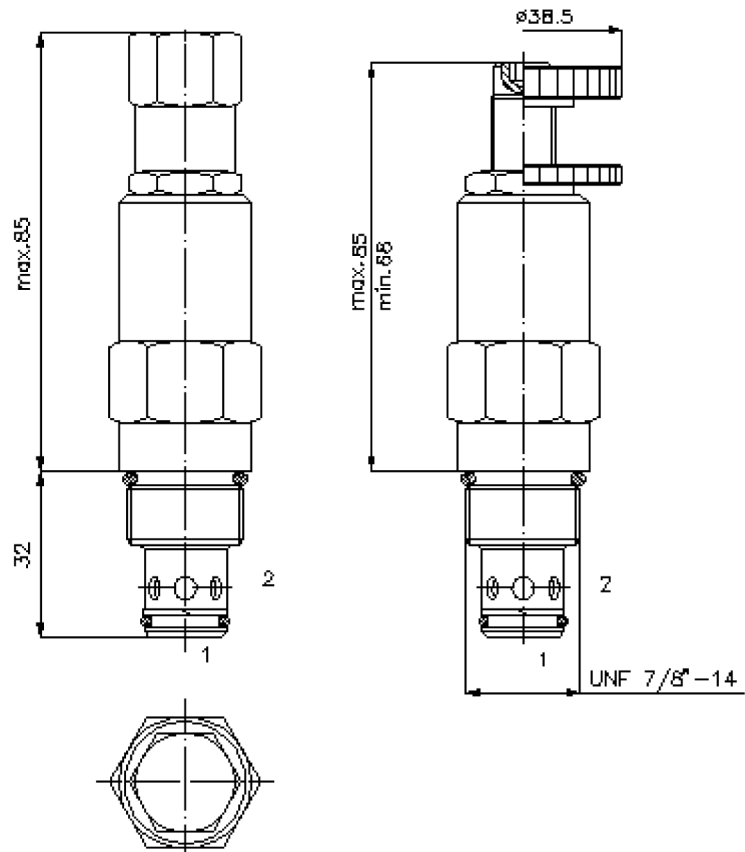


HEX 3/4"

HEX 1"
(torque
cartridge:
48 - 54 Nm)

cavity:
C-10-2
see
data-sheet no.:
IK-100-109-00

HEX 3/16"



pressure relief valve, screw-in type (with by-pass check valve)

RV2-10.-.-0-..



Motrac Hydraulik GmbH
Siemensring 87 - D-47877 Willich
fon +49-(0)2154-8162.0 - fax +49-(0)2154-8162.499
e-mail info.miw@motracindustries.com
internet www.motracindustries.com

FAT-N

MP-160-101-00

(subject to change)

Ordering example:

RV2 - 10N - C - 0 - 20
| | | | |
A **B** **C** **D** **E**

Model code:

- A design**
relief-valve
poppet type valve
pilot operated
- B size and sealing**
10N = Buna (NBR)
10V = Viton (FPM)
- C adjustment**
S = screw adjustment
J = internal
C = cap
K = handknob

- D construction**
0 = screw-in valve
- E pressure range**
03 = 3.5 - 20 bar
20 = 7.0 - 140 bar
35 = 17.0 - 240 bar
50 = 35.0 - 350 bar

Technical Data:

nominal pressure:	350 bar
nominal flow:	12 - 114 l/min
weight:	0.22 kg
temperature range:	-40°C to 120°C
fluids:	hydraulic oil as per DIN 51524 T1 (ISO TC 131)
max. leakage:	5 drops/min at 22 cSt (50°C) and 80% crack pressure
seals:	optional Buna (NBR) or Viton (FPM), as well as Teflon wascher (PTFE)
crack pressure check valve:	3 bar
cavity:	C-10-2 see datasheet no. IK-100-109-00
housing:	2LH-10.-B.. see datasheet no. IH-100-000-00
seal kit:	SP-MDS-10N-21 (NBR), SP-MDS-10V-21 (FPM)