

pressure relief valve, screw-in type (direct acting, adjustable)

RV8-10.-.-0-..

MP-140-101-00

(subject to change)

FAT-N



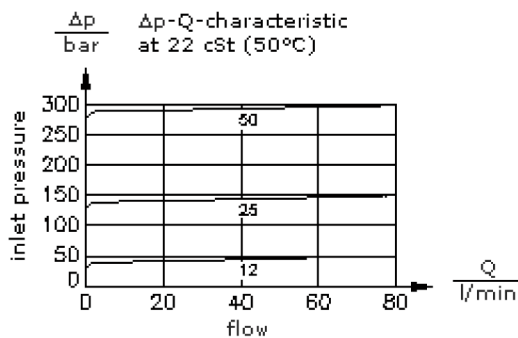
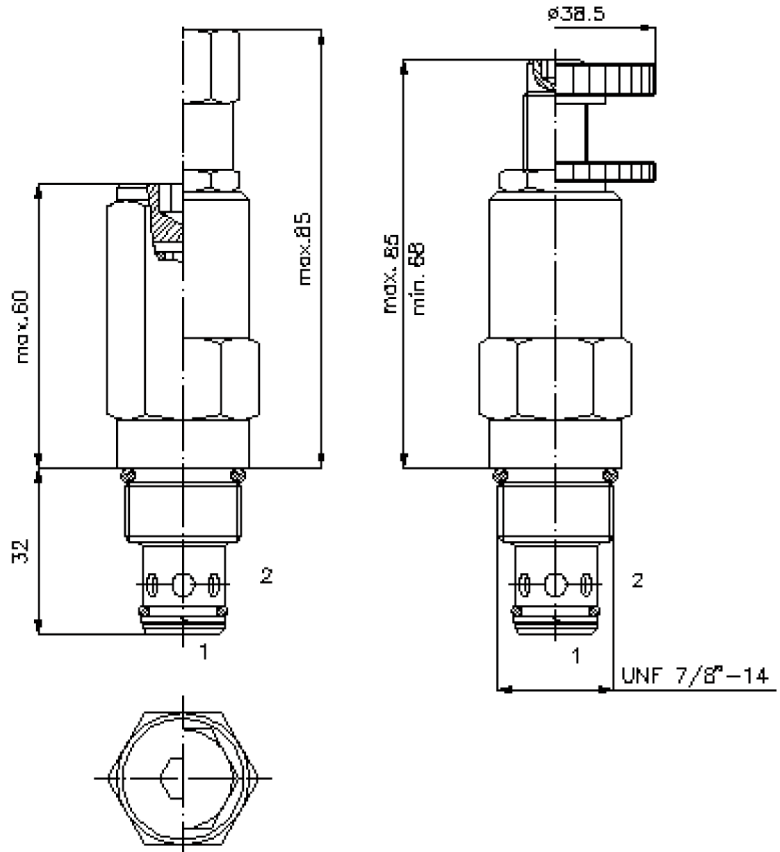
HEX 3/4"

HEX 1"
(torque
cartridge:
48 - 54 Nm)

cavity:
C-10-2
see
data-sheet no.:
IK-100-109-00

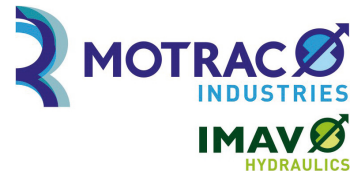
HEX 5/16" ("J")
(HEX 1/4")

HEX 3/16" ("S")



pressure relief valve, screw-in type (direct acting, adjustable)

RV8-10.-.-0-..



Motrac Hydraulik GmbH
Siemensring 87 - D-47877 Willich
fon +49-(0)2154-8162.0 - fax +49-(0)2154-8162.499
e-mail info.miw@motracindustries.com
internet www.motracindustries.com

FAT-N

MP-140-101-00

(subject to change)

Ordering example:

RV8 - 10N - C - 0 - 12
| | | | |
A **B** **C** **D** **E**

Model code:

- | | |
|---|--|
| A design
relief-valve
poppet type valve
direct acting | D construction
0 = screw-in valve |
| B size and sealing
10N = Buna (NBR)
10V = Viton (FPM) | E pressure range
04 = 3.5 - 30 bar
12 = 7.0 - 86 bar
25 = 17.0 - 175 bar
50 = 38.0 - 350 bar |
| C adjustment
J = internal
S = screw adjustment
C = cap
K = handknob | |

Technical Data:

nominal pressure:	350 bar
nominal flow:	76 l/min
weight:	0.22 kg
temperature range:	-40°C to 120°C
fluids:	hydraulic oil as per DIN 51524 T1 (ISO TC 131)
max. leakage:	5 drops/min at 22 cSt (50°C) and 80% crack pressure
seals:	optional Buna (NBR) or Viton (FPM), as well as Teflon wascher (PTFE)
cavity:	C-10-2 see datasheet no. <u>IK-100-109-00</u>
housing:	2LH-10.-B.. see datasheet no. <u>IH-100-000-00</u>
seal kit:	SP-MDS-10N-21 (NBR), SP-MDS-10V-21 (FPM)