

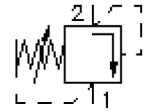
pressure relief valve, screw-in type (direct acting, adjustable)

RV8-08.-.-0-..

FAT-N

MP-120-081-00

(subject to change)

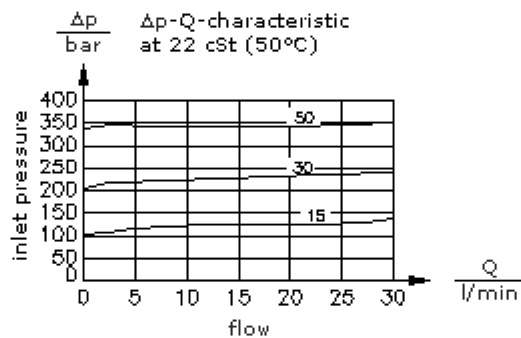
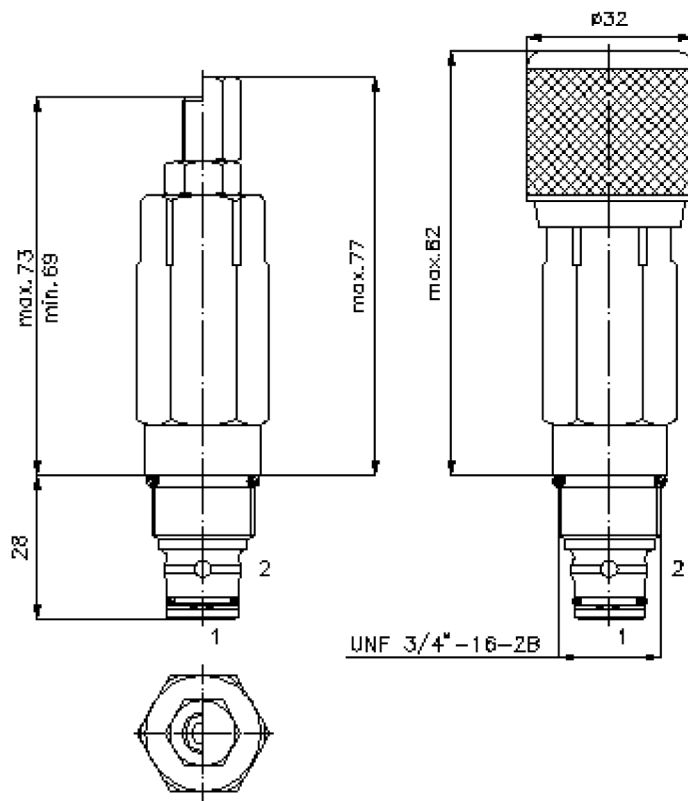


HEX 1/2"

HEX 7/8"
(torque
cartridge:
34 - 40 Nm)

cavity:
C-08-2
see
data-sheet no.:
[IK-100-089-00](#)

HEX 4 mm



pressure relief valve, screw-in type (direct acting, adjustable)

RV8-08.-.-0-..



Motrac Hydraulik GmbH
Siemensring 87 - D-47877 Willich
fon +49-(0)2154-8162.0 - fax +49-(0)2154-8162.499
e-mail info.miw@motracindustries.com
internet www.motracindustries.com

FAT•N

MP-120-081-00

(subject to change)

Ordering example:

RV8 - 08N - C - 0 - 30
| | | | |
A **B** **C** **D** **E**

Model code:

- | | |
|---|--|
| A design relief-valve poppet type valve direct acting | D construction 0 = screw-in valve |
| B size and sealing 08N = Buna (NBR) 08V = Viton (FPM) | E pressure range 15 = 3.4 - 100 bar 30 = 70.0 - 210 bar 50 = 70.0 - 350 bar |
| C adjustment S = screw adjustment C = cap K = handknob | |

Technical Data:

| | |
|---------------------------|--|
| nominal pressure: | 350 bar |
| nominal flow: | 30 l/min |
| weight: | 0.2 kg |
| temperature range: | -40°C to 120°C |
| fluids: | hydraulic oil as per DIN 51524 T1 (ISO TC 131) |
| max. leakage: | 5 drops/min at 22 cSt (50°C) and 80% crack pressure |
| seals: | optional Buna (NBR) or Viton (FPM), as well as Teflon wascher (PTFE) |
| cavity: | C-08-2 see datasheet no. IK-100-089-00 |
| housing: | 2LH-08.-B.. see datasheet no.: IH-100-000-00 |
| seal kit: | SP-MDS-08N-21 (NBR), SP-MDS-08V-21 (FPM) |