

pressure relief valve, screw-in type (direct acting, adjustable)

RV1-10.-.-0-..

MP-100-100-00

(subject to change)

FAT-N



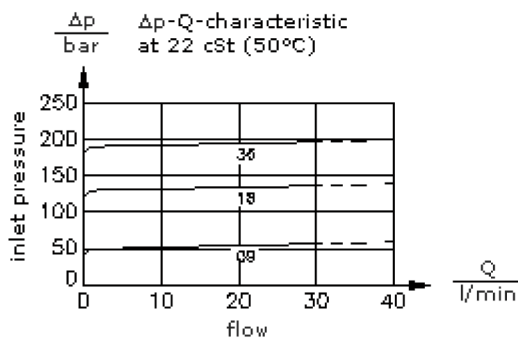
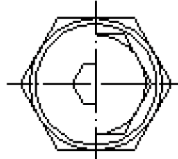
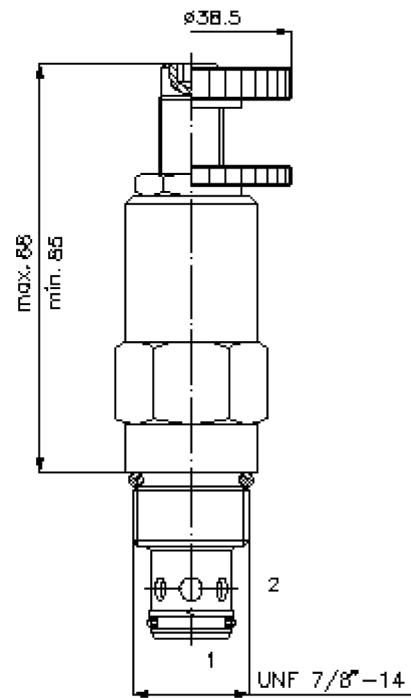
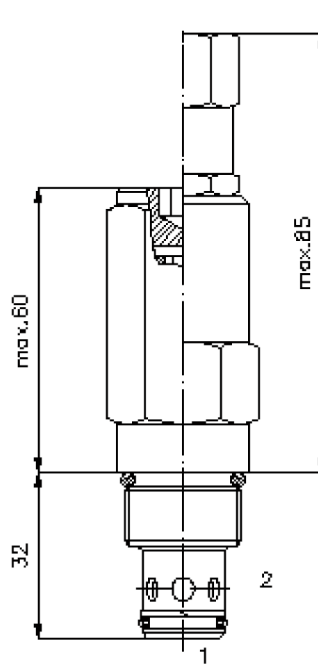
HEX 3/4"

HEX 1"
(torque
cartridge:
48 - 54 Nm)

cavity:
C-10-2
see
data-sheet no.:
IK-100-109-00

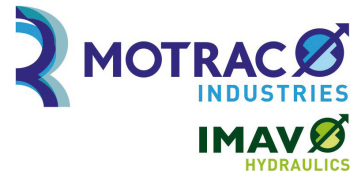
HEX 5/16" ("J")
(HEX 1/4")

HEX 3/16" ("S")



pressure relief valve, screw-in type (direct acting, adjustable)

RV1-10.-.-0-..



Motrac Hydraulik GmbH
Siemensring 87 - D-47877 Willich
fon +49-(0)2154-8162.0 - fax +49-(0)2154-8162.499
e-mail info.miw@motracindustries.com
internet www.motracindustries.com

FAT•N

MP-100-100-00

(subject to change)

Ordering example:

RV1 - 10N - C - 0 - 36
| | | | |
A **B** **C** **D** **E**

Model code:

- | | |
|---|---|
| A design
relief-valve
poppet type valve
direct acting | D construction
0 = screw-in valve |
| B size and sealing
10N = Buna (NBR)
10V = Viton (FPM) | E pressure range
03 = 3.5 - 20 bar
09 = 7.0 - 62 bar
18 = 17.0 - 124 bar
30 = 34.0 - 210 bar
36 = 34.0 - 250 bar |
| C adjustment
J = internal
S = screw adjustment
C = cap
K = handknob | |

Technical Data:

nominal pressure:	210 bar
nominal flow:	30 l/min
weight:	0.22 kg
temperature range:	-40°C to 120°C
fluids:	hydraulic oil as per DIN 51524 T1 (ISO TC 131)
max. leakage:	5 drops/min at 22 cSt (50°C) and 80% crack pressure
seals:	optional Buna (NBR) or Viton (FPM), as well as Teflon wascher (PTFE)
cavity:	C-10-2 see datasheet no. IK-100-109-00
housing:	2LH-10.-B.. see datasheet no. IH-100-000-00
seal kit:	SP-MDS-10N-21 (NBR), SP-MDS-10V-21 (FPM)