

pressure relief valve, screw-in type (direct acting, adjustable)

RV1-08.-.-0-..

MP-100-081-00

(subject to change)

FAT-N

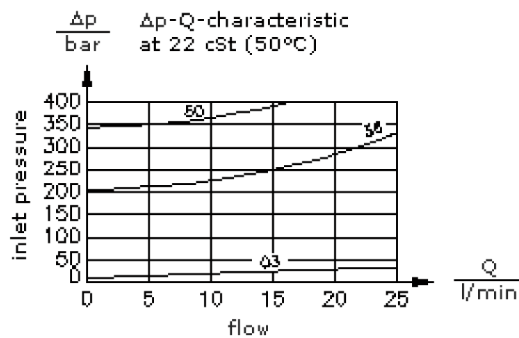
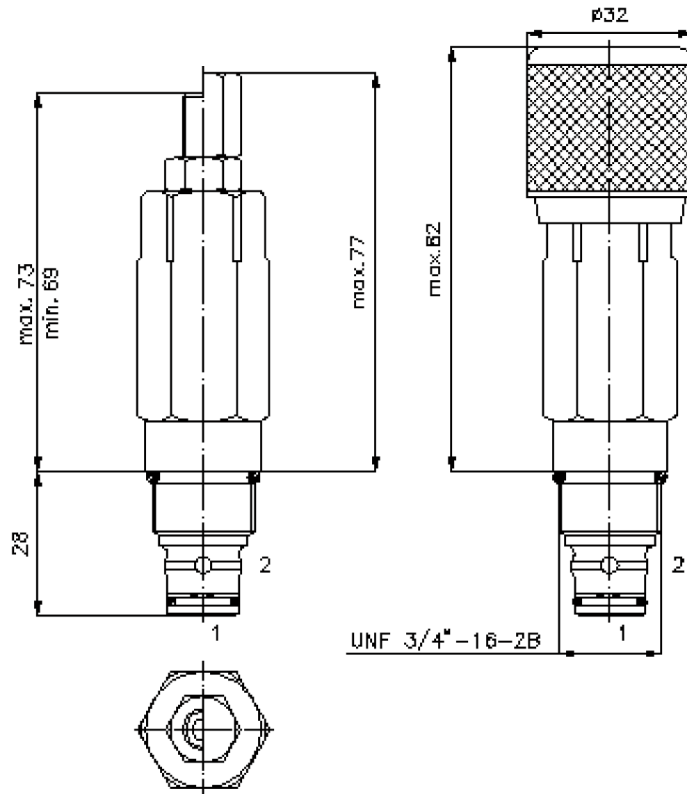


HEX 1/2"

HEX 7/8"
(torque
cartridge:
34 - 40 Nm)

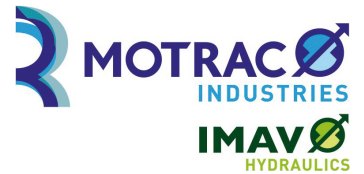
cavity:
C-08-2
see
data-sheet no.:
IK-100-089-00

HEX 4 mm



pressure relief valve, screw-in type (direct acting, adjustable)

RV1-08.-.-0-..



Motrac Hydraulik GmbH
Siemensring 87 - D-47877 Willich
fon +49-(0)2154-8162.0 - fax +49-(0)2154-8162.499
e-mail info.miw@motracindustries.com
internet www.motracindustries.com

FAT•N

MP-100-081-00

(subject to change)

Ordering example:

RV1 - 08N - C - 0 - 36
| | | | |
A **B** **C** **D** **E**

Model code:

- | | |
|---|--|
| A design
relief-valve
poppet type valve
direct acting | D construction
0 = screw-in valve |
| B size and sealing
08N = Buna (NBR)
08V = Viton (FPM) | E pressure range
03 = 3.4 - 20 bar
36 = 20.0 - 250 bar
50 = 100.0 - 350 bar |
| C adjustment
S = screw adjustment
C = cap
K = handknob | |

Technical Data:

nominal pressure:	350 bar
nominal flow:	23 l/min (pressure range "3", "36") 15 l/min (pressure range "50")
weight:	0.2 kg
temperature range:	-40°C to 120°C
fluids:	hydraulic oil as per DIN 51524 T1 (ISO TC 131)
max. leakage:	5 drops/min at 22 cSt (50°C) and 80% crack pressure
seals:	optional Buna (NBR) or Viton (FPM), as well as Teflon wascher (PTFE)
cavity:	C-08-2 see datasheet no.: IK-100-089-00
housing:	2LH-08.-B.. see datasheet no.: IH-100-000-00
seal kit:	SP-MDS-08N-21 (NBR), SP-MDS-08V-21 (FPM)