

flow divider/combiner screw-in valve

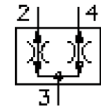
FDC1-16.-0-..



Motrac Hydraulik GmbH
 Siemensring 87 - D-47877 Willich
 fon +49-(0)2154-8162.0 - fax +49-(0)2154-8162.499
 e-mail info.miw@motracindustries.com
 internet www.motracindustries.com

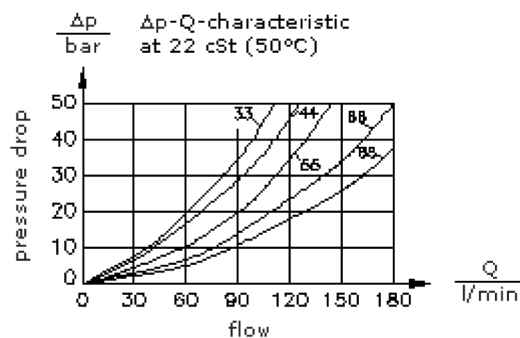
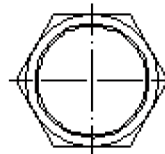
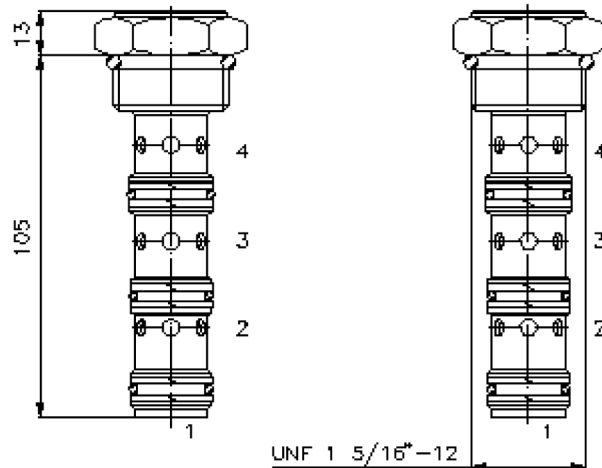
MF-810-160-00

(subject to change)



HEX 1 1/2"
 (torque
 cartridge:
 109 - 122 Nm)

cavity:
 C-16-4
 see
 data-sheet no.:
[IK-400-169-00](#)



flow divider/combiner screw-in valve

FDC1-16.-0-..



Motrac Hydraulik GmbH
Siemensring 87 - D-47877 Willich
fon +49-(0)2154-8162.0 - fax +49-(0)2154-8162.499
e-mail info.miw@motracindustries.com
internet www.motracindustries.com

FAT•N

MF-810-160-00

(subject to change)

Ordering example:

FDC1 - 16N - 0 - 55
| | | |
A **B** **C** **D**

Model code:

- A** **design**
flow divider/combiner
- B** **size and sealing**
16N = Buna (NBR)
16V = Viton (FPM)
- C** **construction**
0 = screw-in valve

- D** **flow and dividing ratio**
port
2 ; 4 ; 3 (Q max.)
33 = 50.0% ; 50.0% ; 68 l/min
44 = 50.0% ; 50.0% ; 90 l/min
55 = 50.0% ; 50.0% ; 114 l/min
66 = 50.0% ; 50.0% ; 132 l/min
88 = 50.0% ; 50.0% ; 178 l/min
64 = 60.0% ; 40.0% ; 114 l/min
46 = 40.0% ; 60.0% ; 114 l/min
63 = 66.7% ; 33.3% ; 98 l/min
36 = 33.3% ; 66.7% ; 98 l/min
43 = 57.0% ; 43.0% ; 79 l/min
34 = 43.0% ; 57.0% ; 79 l/min

Technical Data:

| | |
|--------------------------------|--|
| nominal pressure: | 210 bar |
| nominal flow: | 178 l/min |
| weight: | 0.35 kg |
| temperature range: | -40°C to 120°C |
| fluids: | hydraulic oil as per DIN 51524 T1 (ISO TC 131) |
| seals: | optional Buna (NBR) or Viton (FPM), as well as Teflon wascher (PTFE) |
| flow divisions (ratio): | ± 10% of nominal range |
| cavity: | C-16-4 see datasheet no. IK-400-169-00 |
| housing: | 4LHS-16.-B.. see datasheet no. IH-500-000-00 |
| seal kit: | SP-MDS-16N-46 (NBR), SP-MDS-16V-46 (FPM) |