

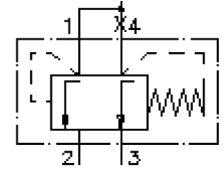
3-way pressure compensator screw-in valve

PCS4-20.-0-...



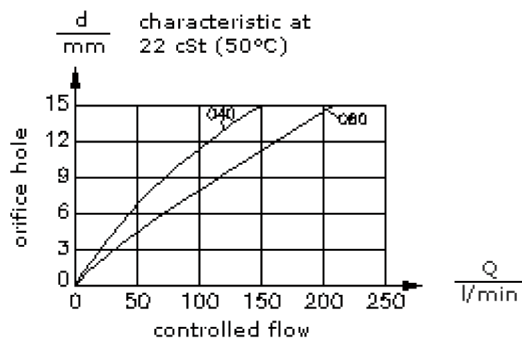
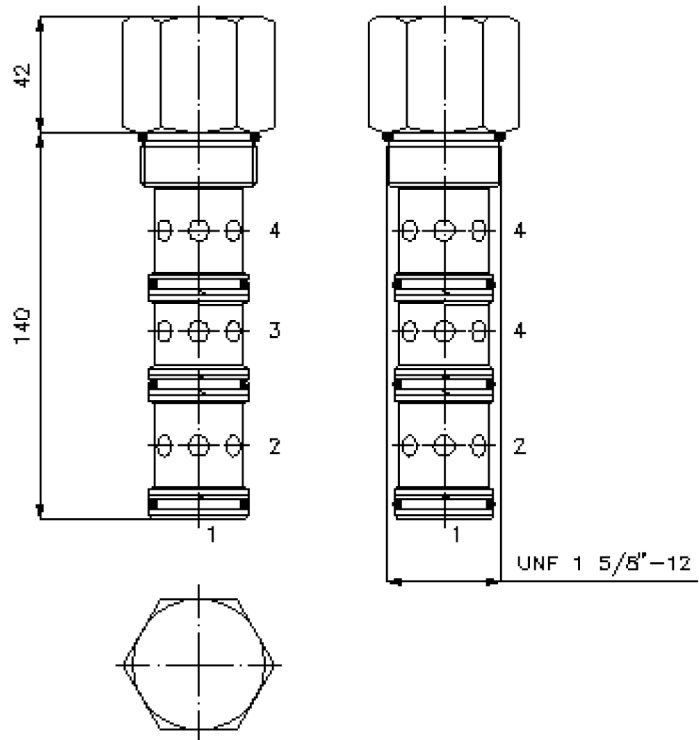
MF-650-200-00

(subject to change)



HEX 1 7/8"
(torque
cartridge:
129 - 155 Nm)

cavity:
C-20-4
see
data-sheet no.:
IK-400-209-00



3-way pressure compensator screw-in valve

PCS4-20.-0-...



Motrac Hydraulik GmbH
Siemensring 87 - D-47877 Willich
fon +49-(0)2154-8162.0 - fax +49-(0)2154-8162.499
e-mail info.miw@motracindustries.com
internet www.motracindustries.com

FAT•N

MF-650-200-00

(subject to change)

Ordering example:

PCS4 - 20N - 0 - 080
| | | |
A **B** **C** **D**

Model code:

A **design**
pressure compensator

B **size and sealing**
20N = Buna (NBR)
20V = Viton (FPM)

C **construction**
0 = screw-in valve

D **differential pressure**
080 = 5.5 bar
160 = 11.0 bar

Technical Data:

nominal pressure:	210 bar
nominal flow:	189 l/min
weight:	0.5 kg
temperature range:	-40°C to 120°C
fluids:	hydraulic oil as per DIN 51524 T1 (ISO TC 131)
seals:	optional Buna (NBR) or Viton (FPM), as well as Teflon wascher (PTFE)
cavity:	C-20-4 see datasheet no. IK-400-209-00
housing:	4LH-20.-B.. see datasheet no. IH-400-000-00
seal kit:	SP-MDS-20N-44 (NBR), SP-MDS-20V-44 (FPM)