

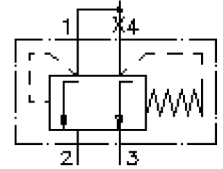
3-way pressure compensator screw-in type

PCS4-16.-0-...

MF-650-160-00

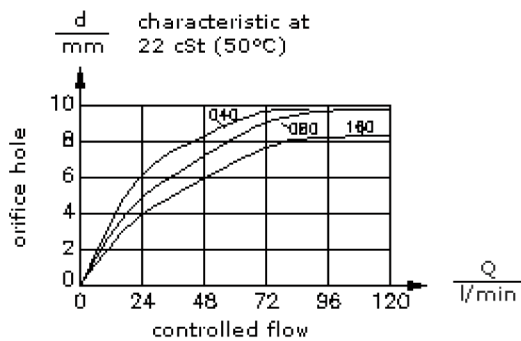
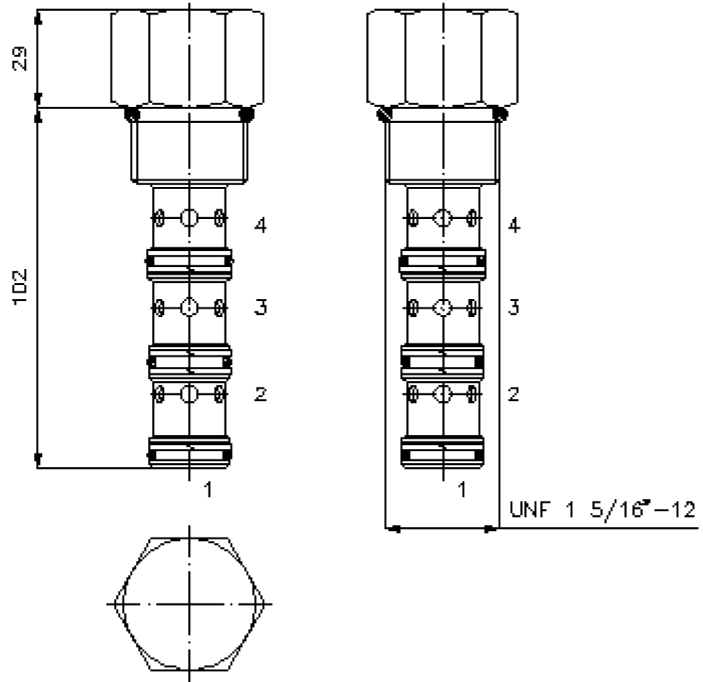
(subject to change)

FAT•N



HEX 1 1/2"
(torque
cartridge:
109 - 122 Nm)

cavity:
C-16-4
see
data-sheet no.:
IK-400-169-00



3-way pressure compensator screw-in type

PCS4-16.-0-...



Motrac Hydraulik GmbH
Siemensring 87 - D-47877 Willich
fon +49-(0)2154-8162.0 - fax +49-(0)2154-8162.499
e-mail info.miw@motracindustries.com
internet www.motracindustries.com

MF-650-160-00

(subject to change)

FAT•N

Ordering example:

PCS4 - 16N - 0 - 040
| | | |
A **B** **C** **D**

Model code:

A **design**
pressure compensator

B **size and sealing**
16N = Buna (NBR)
16V = Viton (FPM)

C **construction**
0 = screw-in valve

D **differential pressure**
040 = 2.8 bar
080 = 5.5 bar
160 = 11.0 bar

Technical Data:

nominal pressure: 210 bar
nominal flow: 114 l/min
weight: 0.5 kg
temperature range: -40°C to 120°C
fluids: hydraulic oil as per DIN 51524 T1 (ISO TC 131)
seals: optional Buna (NBR) or Viton (FPM), as well as Teflon wascher (PTFE)
cavity: C-16-4 see datasheet no. [IK-400-169-00](#)
housing: 4LH-16.-B.. see datasheet no. [IH-400-000-00](#)
seal kit: SP-MDS-16N-44 (NBR), SP-MDS-16V-44 (FPM)