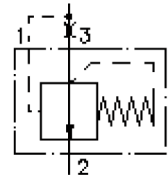


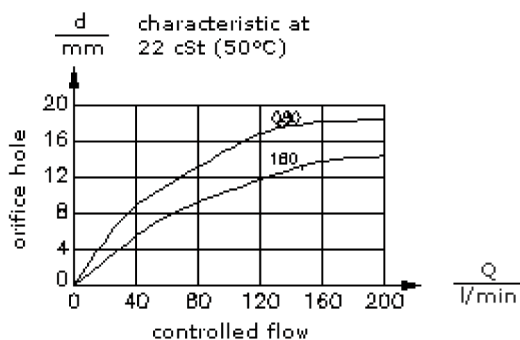
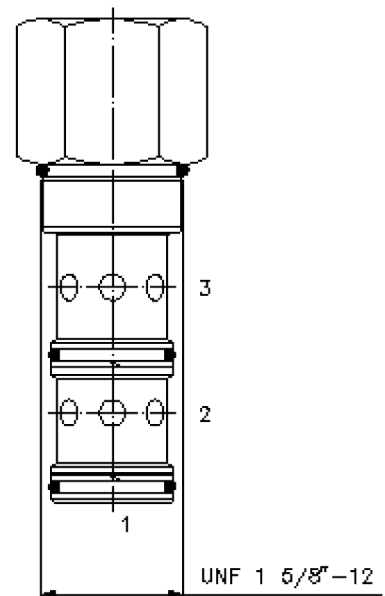
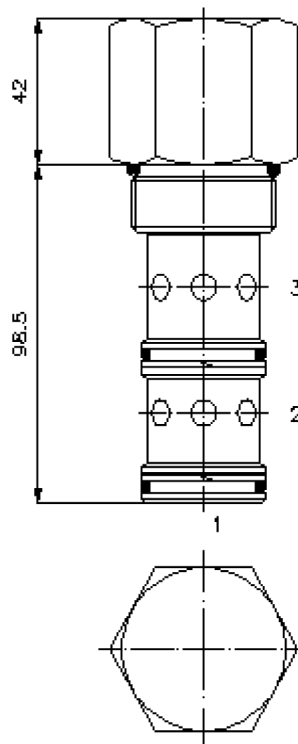
2-way pressure compensator screw-in valve

PCS3-20.-0-...



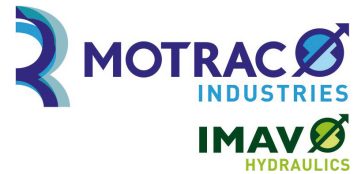
HEX 1 7/8"
(torque
cartridge:
129 - 155 Nm)

cavity:
C-20-3
see
data-sheet no.:
IK-300-209-00



2-way pressure compensator screw-in valve

PCS3-20.-0-...



Motrac Hydraulik GmbH
Siemensring 87 - D-47877 Willich
fon +49-(0)2154-8162.0 - fax +49-(0)2154-8162.499
e-mail info.miw@motracindustries.com
internet www.motracindustries.com

FAT-N

MF-610-200-00

(subject to change)

Ordering example:

PCS3 - 20N - 0 - 080
| | | |
A **B** **C** **D**

Model code:

- | | |
|--|---|
| A design
pressure compensator | D differential pressure
080 = 5.5 bar
160 = 11.0 bar |
| B size and sealing
20N = Buna (NBR)
20V = Viton (FPM) | |
| C construction
0 = screw-in valve
0S = with seals at the piston | |

Technical Data:

note:	Standard-variant "O" without seals at the piston can cause a leakage from 1 to 2. Variant "OS" with seal at the piston can cause hysteresis!
nominal pressure:	210 bar
nominal flow:	190 l/min
weight:	0.88 kg
temperature range:	-40°C to 120°C
fluids:	hydraulic oil as per DIN 51524 T1 (ISO TC 131)
seals:	optional Buna (NBR) or Viton (FPM), as well as Teflon wascher (PTFE)
cavity:	C-20-3 see datasheet no. IK-300-209-00
housing:	3LH-20.-B.. see datasheet no. IH-300-000-00
seal kit:	SP-MDS-20N-32 (NBR), SP-MDS-20V-32 (FPM)