

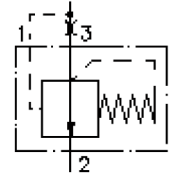
# 2-way pressure compensator screw-in valve

PCS3-16.-0-...

**MF-610-160-00**

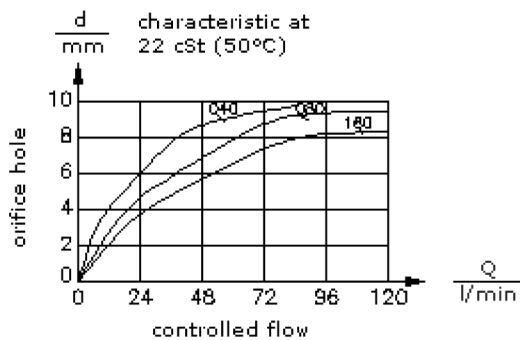
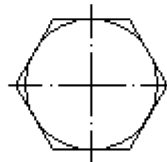
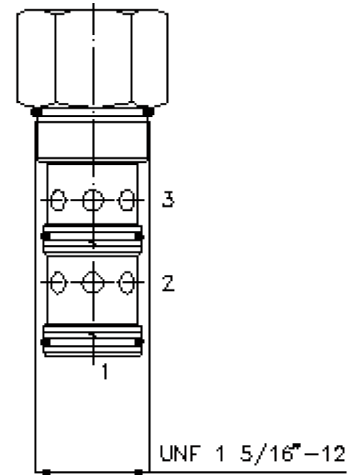
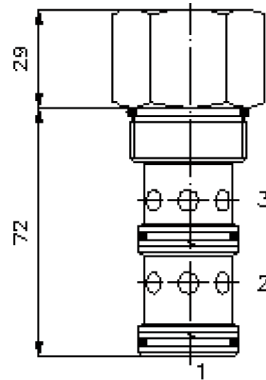
(subject to change)

**FAT•N**



HEX 1 1/2"  
(torque  
cartridge:  
109 - 122 Nm)

cavity:  
C-16-3  
see  
data-sheet no.:  
IK-300-169-00



# 2-way pressure compensator screw-in valve

PCS3-16.-0-...



Motrac Hydraulik GmbH  
Siemensring 87 - D-47877 Willich  
fon +49-(0)2154-8162.0 - fax +49-(0)2154-8162.499  
e-mail info.miw@motracindustries.com  
internet www.motracindustries.com

FAT•N

MF-610-160-00

(subject to change)

## Ordering example:

PCS3 - 16N - 0 - 040  
|        |        |        |  
**A**    **B**    **C**    **D**

## Model code:

- |   |  |
|---|--|
| <b>A</b> <b>design</b><br>pressure compensator                                      | <b>D</b> <b>differential pressure</b><br>040 = 2.8 bar |
| <b>B</b> <b>size and sealing</b><br>16N = Buna (NBR)<br>16V = Viton (FPM)           | 080 = 5.5 bar<br>160 = 11.0 bar                        |
| <b>C</b> <b>construction</b><br>0 = screw-in valve<br>0S = with seals at the piston |  |

## Technical Data:

<b>note:</b>	Standard-variant "O" without seals at the piston can cause a leakage from 1 to 2. Variant "OS" with seal at the piston can cause hysteresis!
<b>nominal pressure:</b>	210 bar
<b>nominal flow:</b>	114 l/min
<b>weight:</b>	0.38 kg
<b>temperature range:</b>	-40°C to 120°C
<b>fluids:</b>	hydraulic oil as per DIN 51524 T1 (ISO TC 131)
<b>seals:</b>	optional Buna (NBR) or Viton (FPM), as well as Teflon wascher (PTFE)
<b>cavity:</b>	C-16-3 see datasheet no. <a href="#">IK-300-169-00</a>
<b>housing:</b>	3LH-16.-B.. see datasheet no. <a href="#">IH-300-000-00</a>
<b>seal kit:</b>	SP-MDS-16N-32 (NBR), SP-MDS-16V-32 (FPM)