

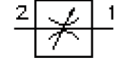
2-way throttle valve, screw-in type (180°-adjustment)

MRV2-16.-.-0-..

MF-510-160-00

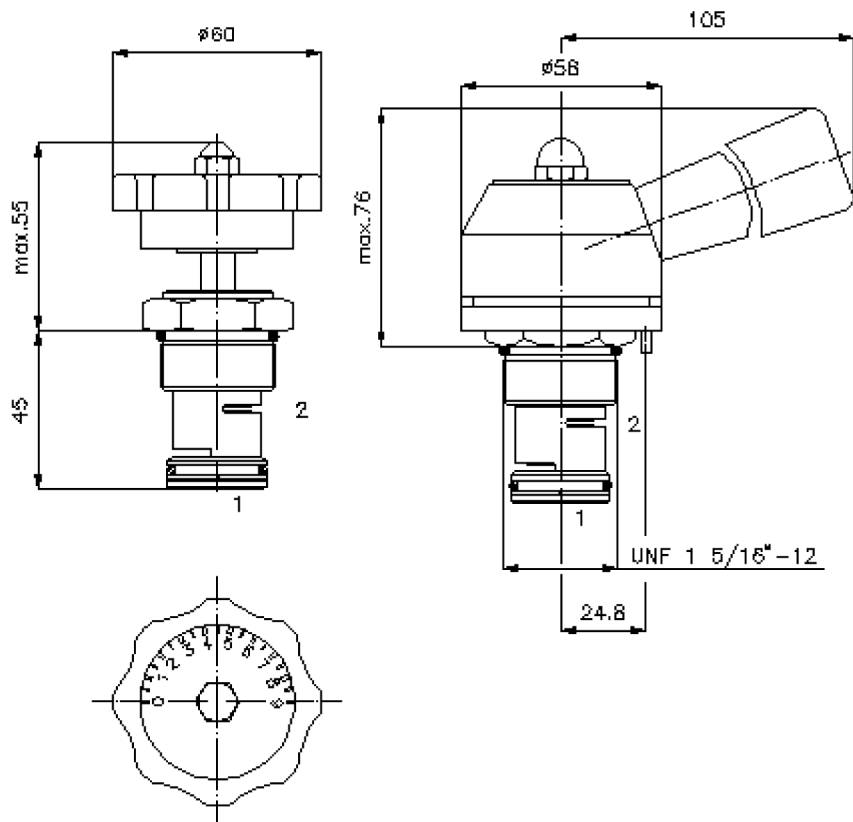
(subject to change)

FAT-N

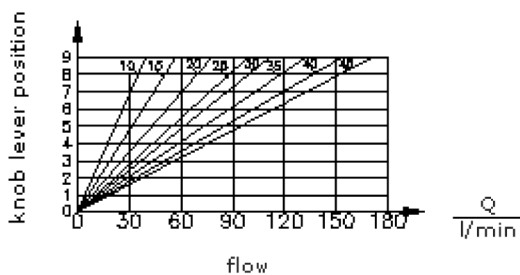


HEX 1 1/2"
(torque
cartridge:
109 - 122 Nm)

cavity:
C-16-2
see
data-sheet no.:
IK-100-169-00



characteristic at
22 cSt (50°C)



2-way throttle valve, screw-in type (180°-adjustment)

MRV2-16.-.-0-..



Motrac Hydraulik GmbH
Siemensring 87 - D-47877 Willich
fon +49-(0)2154-8162.0 - fax +49-(0)2154-8162.499
e-mail info.miw@motracindustries.com
internet www.motracindustries.com

MF-510-160-00

(subject to change)

FAT•N

Ordering example:

MRV2 - 16N - K - 0 - 10
| | | | |
A **B** **C** **D** **E**

Model code:

- | | |
|--|---|
| A design
throttle valve | E requested regulated oil flow
10 = 0 - 38 l/min
15 = 0 - 57 l/min
20 = 0 - 76 l/min
25 = 0 - 95 l/min
30 = 0 - 114 l/min
35 = 0 - 132 l/min
40 = 0 - 151 l/min
45 = 0 - 170 l/min |
| B size and sealing
16N = Buna (NBR)
16V = Viton (FPM) | |
| C adjustment
K = handknob, continous
D = lever, 10 position (0° - 180°), detent
L = lever, continous | |
| D construction
0 = screw-in valve | |

Technical Data:

note:	Bore dimension for locating pin: d 3.5 x 5
nominal pressure:	210 bar
nominal flow:	170 l/min
weight:	0.79 kg
temperature range:	-40°C to 120°C
fluids:	hydraulic oil as per DIN 51524 T1 (ISO TC 131)
max. leakage:	85 ccm/min at 22 cSt (50°C)
seals:	optional Buna (NBR) or Viton (FPM), as well as Teflon wascher (PTFE)
cavity:	C-16-2 see datasheet no. IK-100-169-00
housing:	2LH-16.-B.. see datasheet no. IH-100-000-00
seal kit:	SP-MDS-16N-21 (NBR), SP-MDS-16V-21 (FPM)