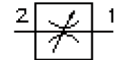


# throttle screw-in valve (adjustable)

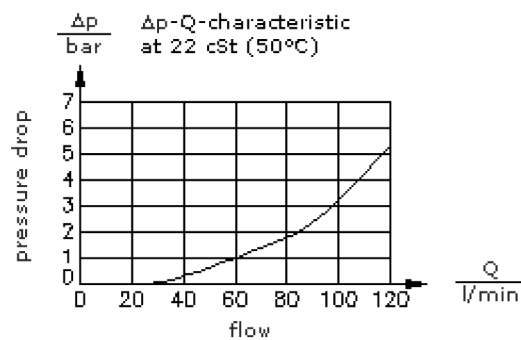
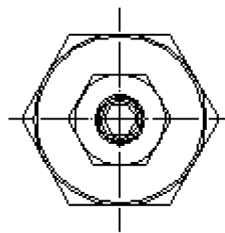
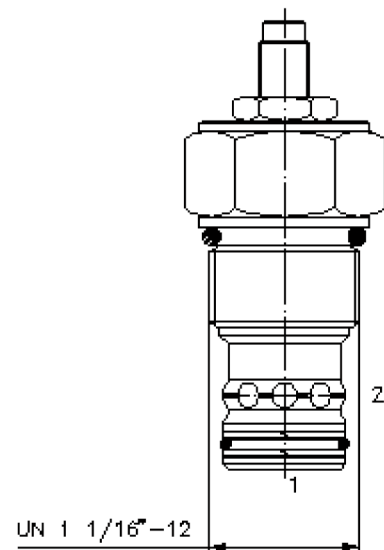
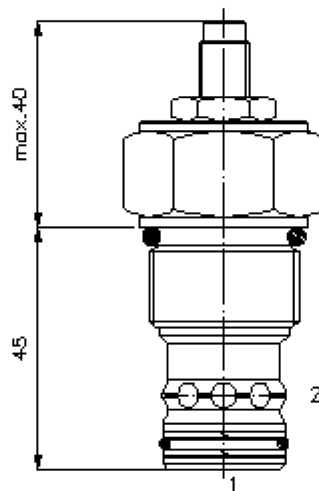
FCV11-12.-.-0-NV



HEX 1 1/4"  
(torque  
cartridge:  
85 - 94 Nm)

cavity:  
C-12-2  
see  
data-sheet no.:  
[IK-100-129-00](#)

HEX 1/8"



# throttle screw-in valve (adjustable)

FCV11-12.-.-0-NV



Motrac Hydraulik GmbH  
Siemensring 87 - D-47877 Willich  
fon +49-(0)2154-8162.0 - fax +49-(0)2154-8162.499  
e-mail info.miw@motracindustries.com  
internet www.motracindustries.com

MF-420-121-00

(subject to change)

FAT•N

## Ordering example:

FCV11 - 12N - S - 0 - NV  
|        |        |        |        |  
**A**    **B**    **C**    **D**    **E**

## Model code:

- |  |  |
|--|--|
| <b>A</b> design<br>throttle valve                                  | <b>C</b> adjustment<br>S = screw adjustment          |
| <b>B</b> size and sealing<br>12N = Buna (NBR)<br>12V = Viton (FPM) | <b>D</b> construction<br>0 = screw-in valve          |
|  | <b>E</b> controlled flow option<br>NV = needle valve |

## Technical Data:

<b>nominal pressure:</b>	350 bar
<b>nominal flow:</b>	114 l/min
<b>weight:</b>	0.24 kg
<b>temperature range:</b>	-40°C to 120°C
<b>fluids:</b>	hydraulic oil as per DIN 51524 T1 (ISO TC 131)
<b>max. leakage:</b>	5 drops/min at 22 cSt (50°C) and 210 bar
<b>seals:</b>	optional Buna (NBR) or Viton (FPM), as well as Teflon wascher (PTFE)
<b>cavity:</b>	C-12-2 see datasheet no. <a href="#">IK-100-129-00</a>
<b>housing:</b>	2LH-12.-B.. see datasheet no. <a href="#">IH-100-000-00</a>
<b>seal kit:</b>	SP-MDS-12N-22 (NBR), SP-MDS-12V-22 (FPM)