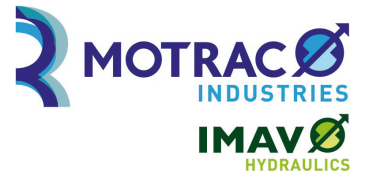


needle screw-in valve (adjustable)

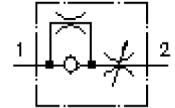
NV1-20.-K-0



Motrac Hydraulik GmbH
Siemensring 87 - D-47877 Willich
fon +49-(0)2154-8162.0 - fax +49-(0)2154-8162.499
e-mail info.miw@motracindustries.com
internet www.motracindustries.com

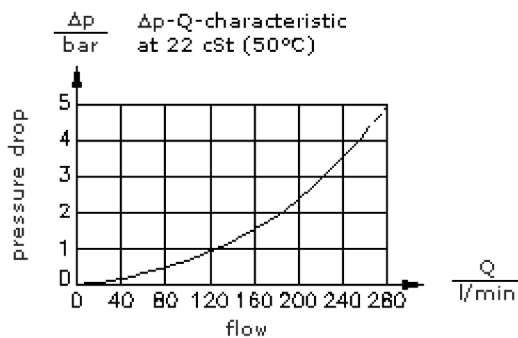
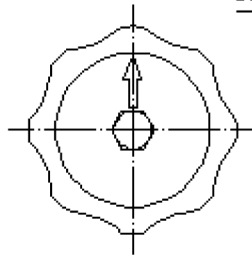
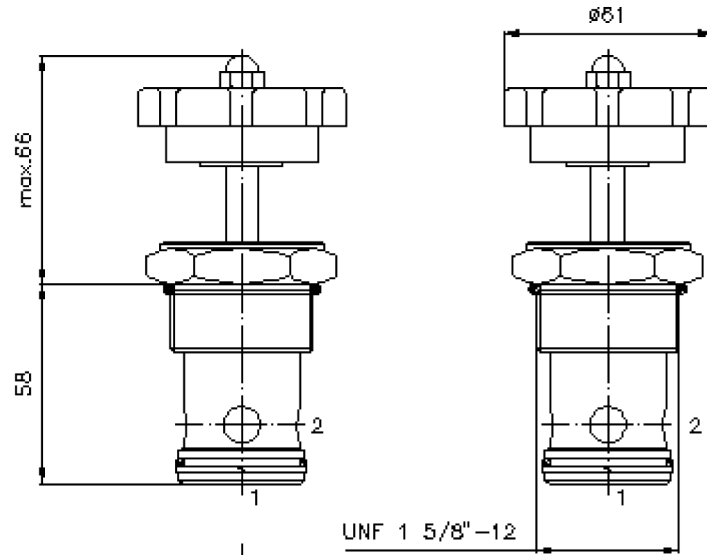
MF-320-200-00

(subject to change)



HEX 1 7/8"
(torque
cartridge:
129 - 155 Nm)

cavity:
C-20-2
see
data-sheet no.:
IK-100-209-00



needle screw-in valve (adjustable)

NV1-20.-K-0



Motrac Hydraulik GmbH
Siemensring 87 - D-47877 Willich
fon +49-(0)2154-8162.0 - fax +49-(0)2154-8162.499
e-mail info.miw@motracindustries.com
internet www.motracindustries.com

MF-320-200-00

(subject to change)

FAT•N

Ordering example:

NV1 - 20N - K - 0
| | | |
A **B** **C** **D**

Model code:

A **design**
needle throttle valve

B **size and sealing**
20N = Buna (NBR)
20V = Viton (FPM)

C **adjustment**
K = handknob

D **construction**
0 = screw-in valve

Technical Data:

nominal pressure:	210 bar
nominal flow:	265 l/min
weight:	0.59 kg
temperature range:	-40°C to 120°C
fluids:	hydraulic oil as per DIN 51524 T1 (ISO TC 131)
max. leakage:	5 drops/min at 22 cSt (50°C) and 210 bar
seals:	optional Buna (NBR) or Viton (FPM), as well as Teflon wascher (PTFE)
cavity:	C-20-2 see datasheet no. IK-100-209-00
housing:	2LH-20.-B.. see datasheet no. IH-100-000-00
seal kit:	SP-MDS-20N-21 (NBR), SP-MDS-20V-21 (FPM)