

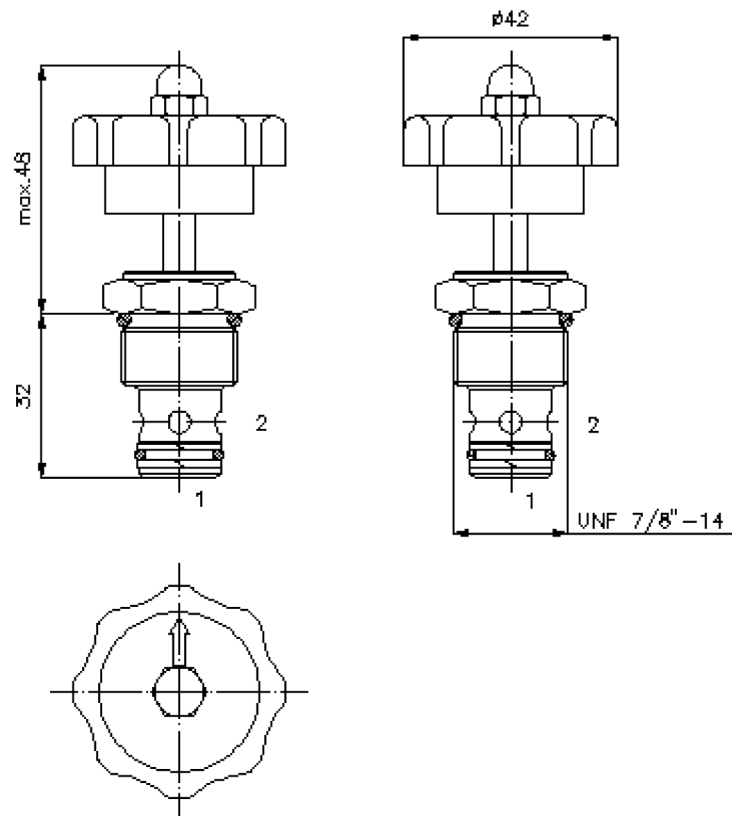
# needle screw-in valve (adjustable)

NV1-10.-K-0

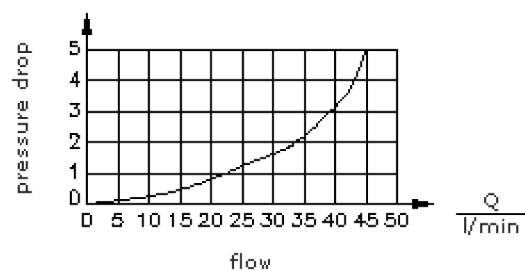


HEX 1"  
(torque  
cartridge:  
48 - 54 Nm)

cavity:  
C-10-2  
see  
data-sheet no.:  
IK-100-109-00



$\frac{\Delta p}{\text{bar}}$   $\Delta p$ -Q-characteristic  
at 22 cSt (50°C)



# needle screw-in valve (adjustable)

NV1-10.-K-0



Motrac Hydraulik GmbH  
Siemensring 87 - D-47877 Willich  
fon +49-(0)2154-8162.0 - fax +49-(0)2154-8162.499  
e-mail info.miw@motracindustries.com  
internet www.motracindustries.com

**FAT•N**

**MF-310-100-00**

(subject to change)

## Ordering example:

NV1 - 10N - K - 0  
|     |     |     |  
**A**   **B**   **C**   **D**

## Model code:

**A** **design**  
needle throttle valve

**B** **size and sealing**  
10N = Buna (NBR)  
10V = Viton (FPM)

**C** **adjustment**  
K = handknob

**D** **construction**  
0 = screw-in valve

## Technical Data:

<b>nominal pressure:</b>	210 bar
<b>nominal flow:</b>	45 l/min
<b>weight:</b>	0.11 kg
<b>temperature range:</b>	-40°C to 120°C
<b>fluids:</b>	hydraulic oil as per DIN 51524 T1 (ISO TC 131)
<b>max. leakage:</b>	5 drops/min at 22 cSt (50°C) and 210 bar
<b>seals:</b>	optional Buna (NBR) or Viton (FPM), as well as Teflon wascher (PTFE)
<b>cavity:</b>	C-10-2 see datasheet no. <a href="#">IK-100-109-00</a>
<b>housing:</b>	2LH-10.-B.. see datasheet no. <a href="#">IH-100-000-00</a>
<b>seal kit:</b>	SP-MDS-10N-22 (NBR), SP-MDS-10V-22 (FPM)