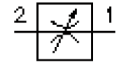


needle screw-in valve (adjustable)

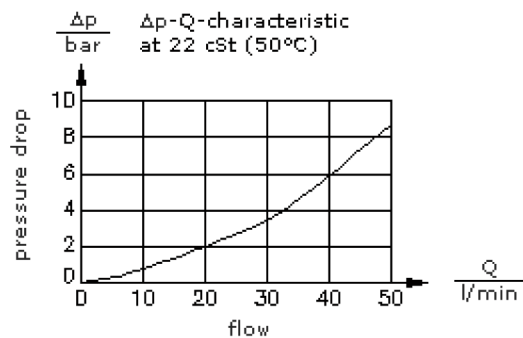
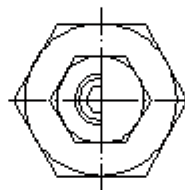
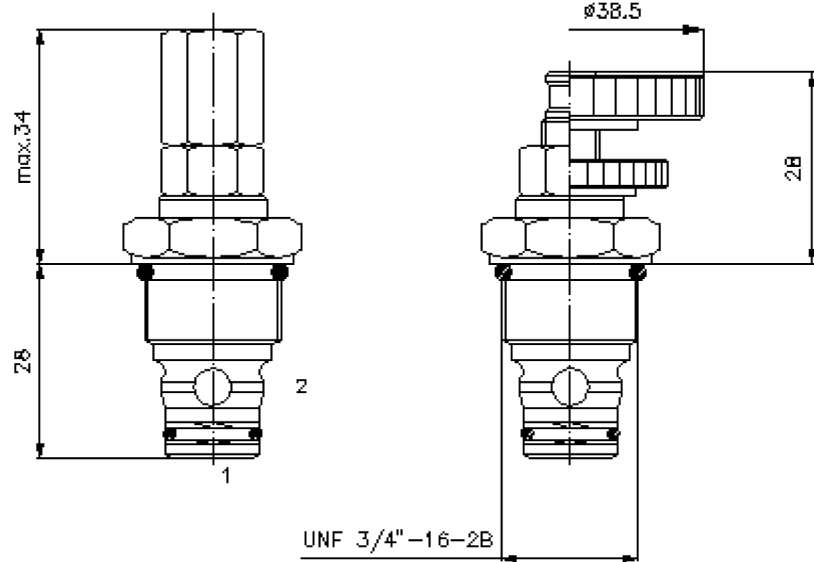
NV1-08.-.-0



HEX 1/2"

HEX 7/8"
(torque
cartridge:
34 - 40 Nm)

cavity:
C-08-2
see
data-sheet no.:
IK-100-089-00



needle screw-in valve (adjustable)

NV1-08.-.-0



Motrac Hydraulik GmbH
Siemensring 87 - D-47877 Willich
fon +49-(0)2154-8162.0 - fax +49-(0)2154-8162.499
e-mail info.miw@motracindustries.com
internet www.motracindustries.com

FAT•N

MF-310-081-00

(subject to change)

Ordering example:

NV1 - 08N - K - 0
| | | |
A **B** **C** **D**

Model code:

A design
needle throttle valve

B size and sealing
08N = Buna (NBR)
08V = Viton (FPM)

C adjustment
S = screw adjustment
C = cap
K = handknob

D construction
0 = screw-in valve

Technical Data:

nominal pressure:	350 bar
nominal flow:	45 l/min
weight:	0.07 kg
temperature range:	-40°C to 120°C
fluids:	hydraulic oil as per DIN 51524 T1 (ISO TC 131)
max. leakage:	5 drops/min at 22 cSt (50°C) and 210 bar
seals:	optional Buna (NBR) or Viton (FPM), as well as Teflon wascher (PTFE)
cavity:	C-10-2 see datasheet no. IK-100-109-00
housing:	2LH-10.-B.. see datasheet no. IH-100-000-00
seal kit:	SP-MDS-08N-22 (NBR), SP-MDS-08V-22 (FPM)