

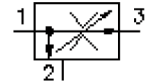
3-way flow control screw-in valve (adjustable)

PFR2-16.-.-0-.....



MF-250-160-00

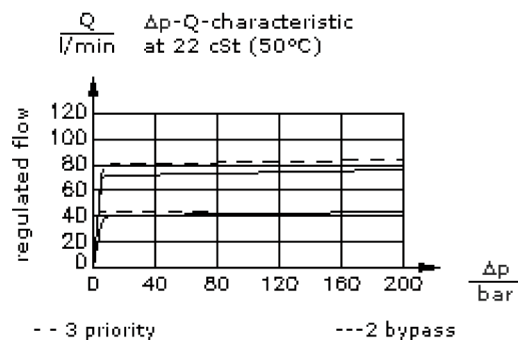
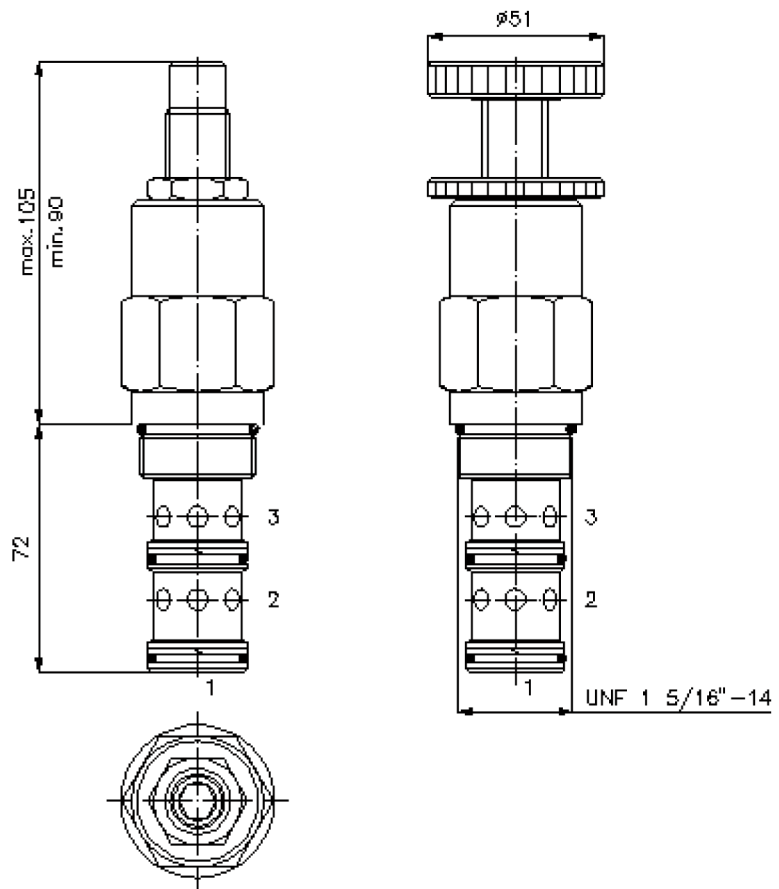
(subject to change)



HEX 1"

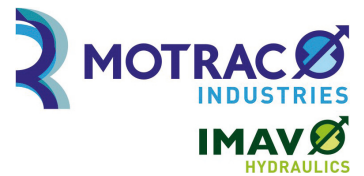
HEX 1 1/2"
(torque
cartridge:
109 - 122 Nm)

cavity:
C-16-3
see
data-sheet no.:
[IK-300-169-00](#)



3-way flow control screw-in valve (adjustable)

PFR2-16.-.-0-.....



Motrac Hydraulik GmbH
Siemensring 87 - D-47877 Willich
fon +49-(0)2154-8162.0 - fax +49-(0)2154-8162.499
e-mail info.miw@motracindustries.com
internet www.motracindustries.com

FAT•N

MF-250-160-00

(subject to change)

Ordering example:

PFR2 - 16N - C - 0 - 15.00
| | | | |
A **B** **C** **D** **E**

Model code:

- A design**
priority flow regulator valve
- B size and sealing**
16N = Buna (NBR)
16V = Viton (FPM)
- C adjustment**
S = screw adjustment
C = cap
K = handknob
- D construction**
0 = screw-in valve

- E quantity adjustment**
requested regulated flow
Q specify in gpm
1 l/min = 0.265 Gpm
(1 Gpm = 3.785 l/min)
regulation tolerance
2.0 - 11.0 l/min ±15%
11.0 - 114.0 l/min ±10%

Technical Data:

note:	max. 50% volumen-reduction of the factory set flow
nominal pressure:	210 bar
nominal flow:	150 l/min
weight:	0.43 kg
inlet flow:	150 l/min
regulated flow:	115 l/min
temperature range:	-40°C to 120°C
fluids:	hydraulic oil as per DIN 51524 T1 (ISO TC 131)
seals:	optional Buna (NBR) or Viton (FPM), as well as Teflon wascher (PTFE)
cavity:	C-16-3 see datasheet no. IK-300-169-00
housing:	3LH-16.-B.. see datasheet no. IH-300-000-00
seal kit:	SP-MDS-16N-32 (NBR), SP-MDS-16V-32 (FPM)