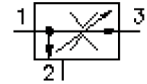


3-way flow control screw-in valve (adjustable)

PFR2-10.-.-0-.....

MF-250-100-00

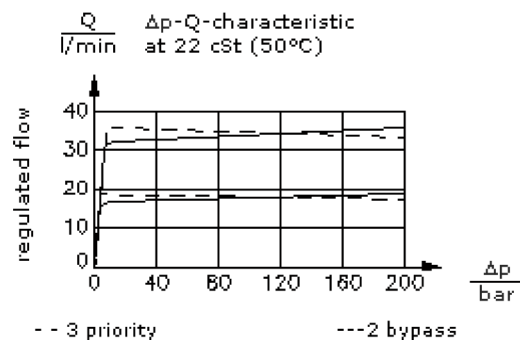
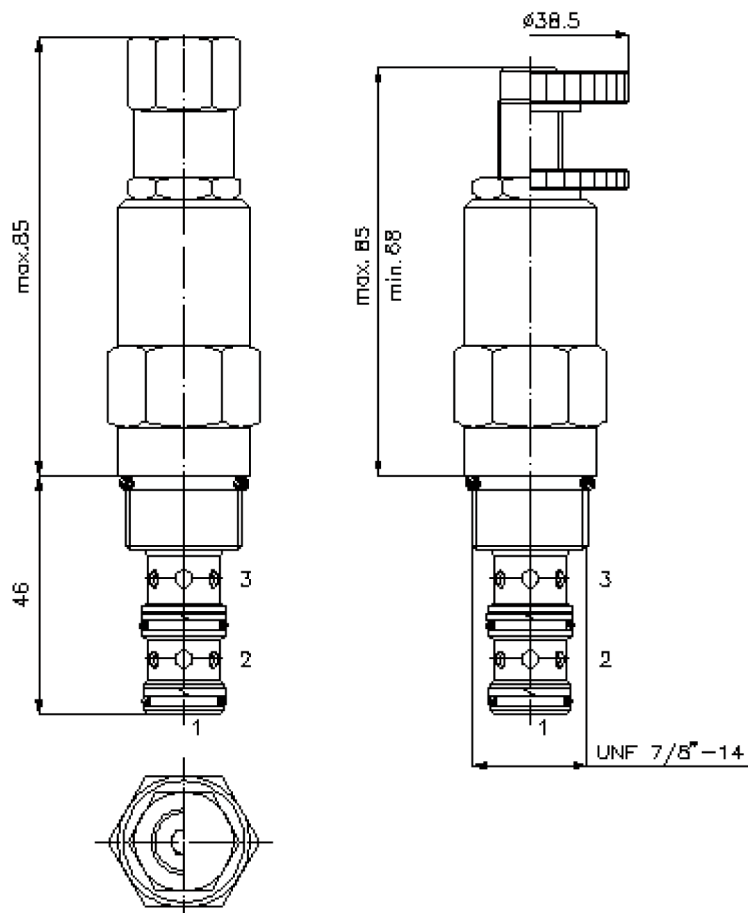
(subject to change)



HEX 3/4"

HEX 1"
(torque
cartridge:
48 - 54 Nm)

cavity:
C-10-3
see
data-sheet no.:
[IK-300-109-00](#)



3-way flow control screw-in valve (adjustable)

PFR2-10.-.-0-.....



Motrac Hydraulik GmbH
Siemensring 87 - D-47877 Willich
fon +49-(0)2154-8162.0 - fax +49-(0)2154-8162.499
e-mail info.miw@motracindustries.com
internet www.motracindustries.com

FAT•N

MF-250-100-00

(subject to change)

Ordering example:

PFR2 - 10N - C - 0 - 06.00
| | | | |
A **B** **C** **D** **E**

Model code:

- | | |
|---|--|
| <p>A design
priority flow regulator valve</p> <p>B size and sealing
10N = Buna (NBR)
10V = Viton (FPM)</p> <p>C adjustment
S = screw adjustment
C = cap
K = handknob</p> <p>D construction
0 = screw-in valve</p> | <p>E quantity adjustment
requested regulated flow
Q specify in gpm
1 l/min = 0.265 Gpm
(1 Gpm = 3.785 l/min)
regulation tolerance
0.4 - 2.0 l/min ±20%
2.0 - 8.0 l/min ±15%
8.0 - 38.0 l/min ±10%</p> |
|---|--|

Technical Data:

note:	max. 50% volumen-reduction of the factory set flow
nominal pressure:	210 bar
nominal flow:	60 l/min
weight:	0.25 kg
inlet flow:	60 l/min
regulated flow:	40 l/min
temperature range:	-40°C to 120°C
fluids:	hydraulic oil as per DIN 51524 T1 (ISO TC 131)
seals:	optional Buna (NBR) or Viton (FPM), as well as Teflon wascher (PTFE)
cavity:	C-10-3 see datasheet no. IK-300-109-00
housing:	3LH-10.-B.. see datasheet no. IH-300-000-00
seal kit:	SP-MDS-10N-32 (NBR), SP-MDS-10V-32 (FPM)