

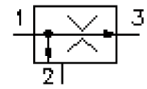
3-way flow control screw-in valve (fixed)

PFR5-10.-F-0-.....

MF-210-101-00

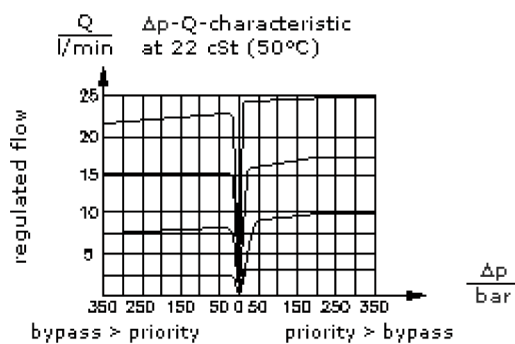
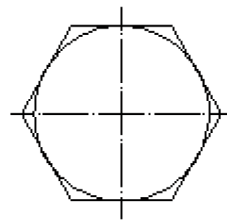
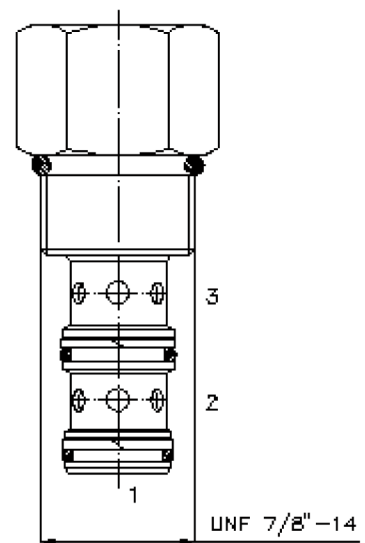
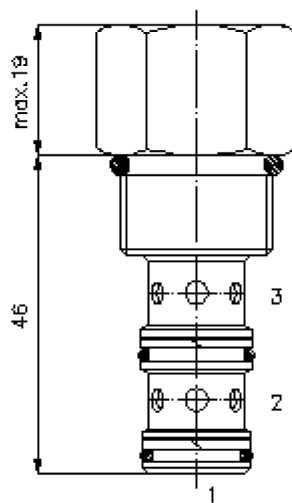
(subject to change)

FAT•N



HEX 1"
(torque
cartridge:
48 - 54 Nm)

cavity:
C-10-3
see
data-sheet no.:
[IK-300-109-00](#)



3-way flow control screw-in valve (fixed)

PFR5-10.-F-0-.....



Motrac Hydraulik GmbH
Siemensring 87 - D-47877 Willich
fon +49-(0)2154-8162.0 - fax +49-(0)2154-8162.499
e-mail info.miw@motracindustries.com
internet www.motracindustries.com

FAT•N

MF-210-101-00

(subject to change)

Ordering example:

PFR5 - 10N - F - 0 - 04.00
| | | | |
A **B** **C** **D** **E**

Model code:

- | | |
|---|--|
| A design
priority flow regulator valve | E quantity adjustment
requested regulated flow
Q specify in gpm
1 l/min = 0.265 Gpm
(1 Gpm = 3.785 l/min)
regulation tolerance
0.4 - 2.0 l/min ±20% (210 bar)
0.4 - 2.0 l/min ±40% (350 bar)
2.0 - 6.0 l/min ±15%
6.0 - 23.0 l/min ±10% |
| B size and sealing
10N = Buna (NBR)
10V = Viton (FPM) | |
| C adjustment
F = fixed | |
| D construction
0 = screw-in valve | |

Technical Data:

nominal pressure:	350 bar
nominal flow:	60 l/min
weight:	0.13 kg
inlet flow:	60 l/min
regulated flow:	23 l/min
temperature range:	-40°C to 120°C
fluids:	hydraulic oil as per DIN 51524 T1 (ISO TC 131)
seals:	optional Buna (NBR) or Viton (FPM), as well as Teflon wascher (PTFE)
cavity:	C-10-3 see datasheet no. IK-300-109-00
housing:	3LH-10.-B.. see datasheet no. IH-300-000-00
seal kit:	SP-MDS-10N-32 (NBR), SP-MDS-10V-32 (FPM)