

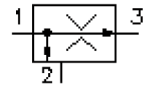
# 3-way flow control screw-in valve (fixed)

PFR5-08.-F-0-.....

**MF-210-081-00**

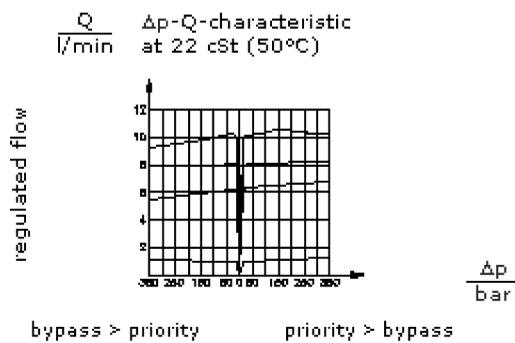
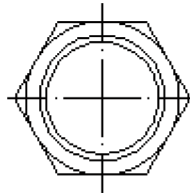
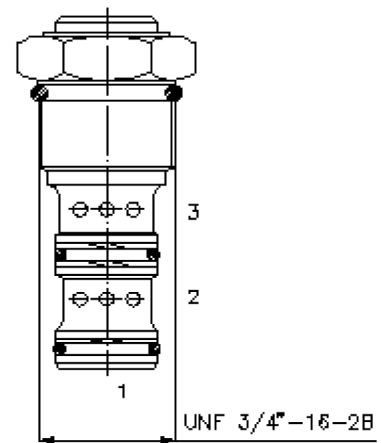
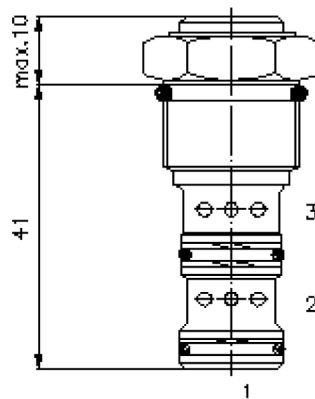
(subject to change)

**FAT•N**



HEX 7/8"  
(torque  
cartridge:  
34 - 40 Nm)

cavity:  
C-08-3  
see  
data-sheet no.:  
IK-300-089-00



# 3-way flow control screw-in valve (fixed)

PFR5-08.-F-0-.....



Motrac Hydraulik GmbH  
Siemensring 87 - D-47877 Willich  
fon +49-(0)2154-8162.0 - fax +49-(0)2154-8162.499  
e-mail info.miw@motracindustries.com  
internet www.motracindustries.com

FAT•N

MF-210-081-00

(subject to change)

## Ordering example:

PFR5 - 08N - F - 0 - 04.00

**A**      **B**      **C**      **D**      **E**

## Model code:

- A** **design**  
priority flow regulator valve
- B** **size and sealing**  
08N = Buna (NBR)  
08V = Viton (FPM)
- C** **adjustment**  
F = fixed
- D** **construction**  
0 = screw-in valve

- E** **quantity adjustment**  
requested regulated flow  
Q specify in gpm  
1 l/min = 0.265 Gpm  
(1 Gpm = 3.785 l/min)  
regulation tolerance  
0.4 - 2.0 l/min ±20% (210 bar)  
0.4 - 2.0 l/min ±40% (350 bar)  
2.0 - 6.0 l/min ±15%  
6.0 - 10.0 l/min ±10%

## Technical Data:

<b>nominal pressure:</b>	350 bar
<b>nominal flow:</b>	15 l/min
<b>weight:</b>	0.07 kg
<b>inlet flow:</b>	15 l/min
<b>regulated flow:</b>	10 l/min
<b>temperature range:</b>	-40°C to 120°C
<b>fluids:</b>	hydraulic oil as per DIN 51524 T1 (ISO TC 131)
<b>seals:</b>	optional Buna (NBR) or Viton (FPM), as well as Teflon wascher (PTFE)
<b>cavity:</b>	C-08-3 see datasheet no. <a href="#">IK-300-089-00</a>
<b>housing:</b>	3LH-08.-B.. see datasheet no. <a href="#">IH-300-000-00</a>
<b>seal kit:</b>	SP-MDS-08N-33 (NBR), SP-MDS-08V-33 (FPM)