

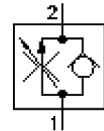
2-way flow control screw-in valve (adjustable)

FAR1-16.-C-0

MF-200-161-00

(subject to change)

FAT•N

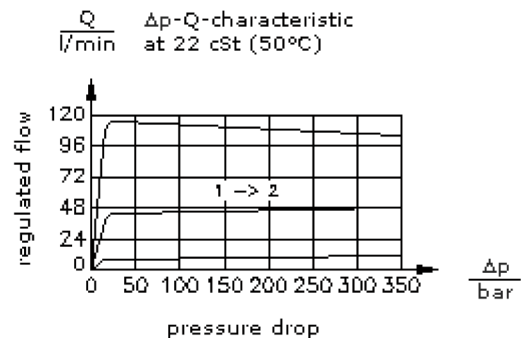
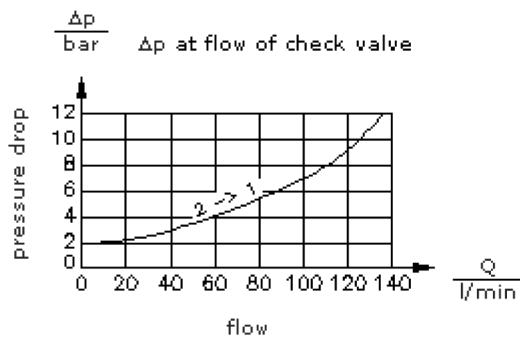
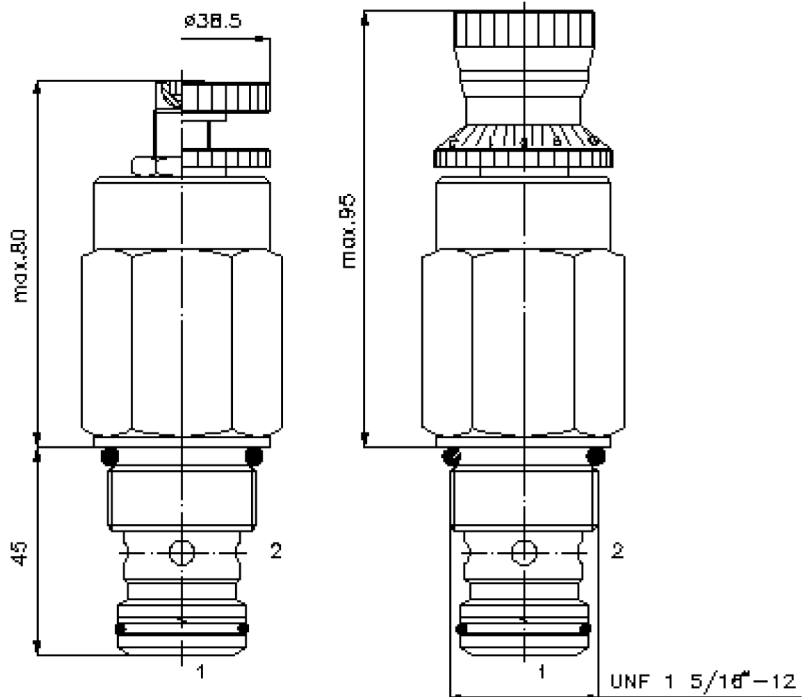


HEX 3/16"

HEX 3/4"

HEX 1 1/2"
(torque
cartridge:
109 - 122 Nm)

cavity:
C-16-2
see
data-sheet no.:
IK-100-169-00



2-way flow control screw-in valve (adjustable)

FAR1-16.-C-0



Motrac Hydraulik GmbH
Siemensring 87 - D-47877 Willich
fon +49-(0)2154-8162.0 - fax +49-(0)2154-8162.499
e-mail info.miw@motracindustries.com
internet www.motracindustries.com

MF-200-161-00

(subject to change)

FAT•N

Ordering example:

FAR1 - 16N - S - 0
| | | |
A **B** **C** **D**

Model code:

- A** **design**
flow regulator valve
pressure independent
- B** **size and sealing**
16N = Buna (NBR)
16V = Viton (FPM)
- C** **adjustment**
S = screw adjustment
C = cap
K = handknob
H = calibrated handknob with locknut
- D** **construction**
0 = screw-in valve

Technical Data:

note:	left turn (counter clockwise) = increasing flow right turn (clockwise) = reducing flow
nominal pressure:	350 bar
nominal flow:	114 l/min
weight:	0.7 kg
inlet flow:	115 l/min
leakage:	closed valve 0.4 l/min at 22 cSt (50°C) at 210 bar
temperature range:	-40°C to 120°C
fluids:	hydraulic oil as per DIN 51524 T1 (ISO TC 131)
check valve:	crack pressure = 1.7 bar
Δp pressure compensator:	17 bar
regulation range:	1 - 115 l/min
regulation accuracy:	4 - 15 l/min ± 30%, 15 - 30 l/min ± 20%, 30 - 115 l/min ± 10%
seals:	optional Buna (NBR) or Viton (FPM), as well as Teflon wascher (PTFE)
cavity:	C-16-2 see datasheet no. IK-100-169-00
housing:	2LH-16.-B.. see datasheet no. IH-100-000-00
seal kit:	SP-MDS-16N-21 (NBR), SP-MDS-16V-21 (FPM)